

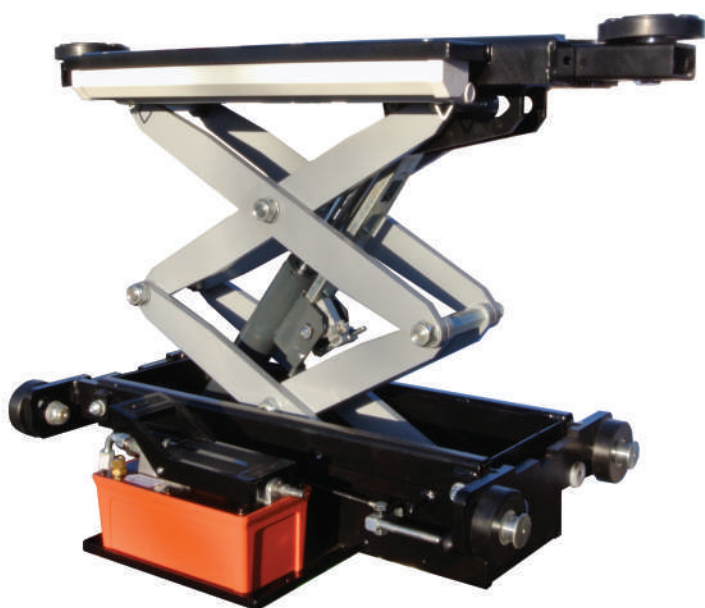
# HIGH LIFT BRIDGE JACK

## J7000E

### STAN DESIGN

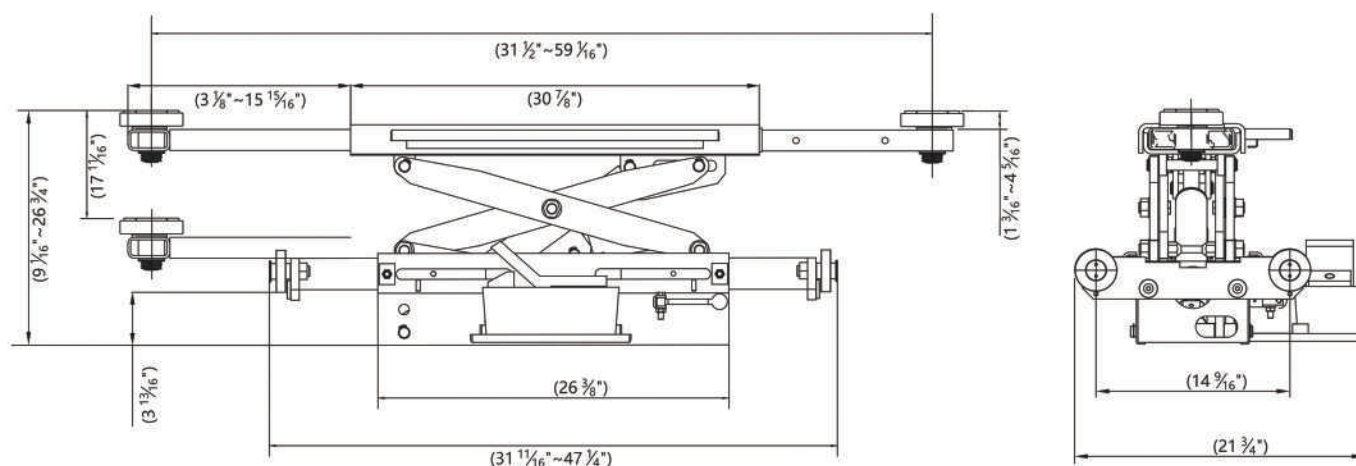
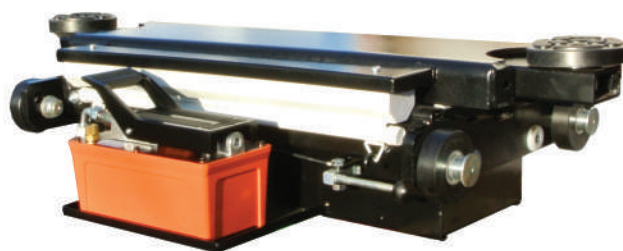
[www.stanjacks.com](http://www.stanjacks.com)

### LIFT VEHICLES HIGHER WITH THE HIGH LIFT BRIDGE JACK



- Model J7000E
- 7,000 Lb. Cap
- High Lift Bridge Jack
- Air/Hydraulic Design
- Double Scissor Design
- Multi-Level Locking System
- 26 Inch Lift Height
- Telescoping rubber pad
- Wide reach arms
- Optional safety cover

Model J7000E  
7,000 Lb. Cap  
High Lift Bridge Jack  
Low profile only 9 Inches collapsed height  
Fits pits as narrow as 28 Inches



TOLL FREE 1-866-782-6529

[www.stanjacks.com](http://www.stanjacks.com)