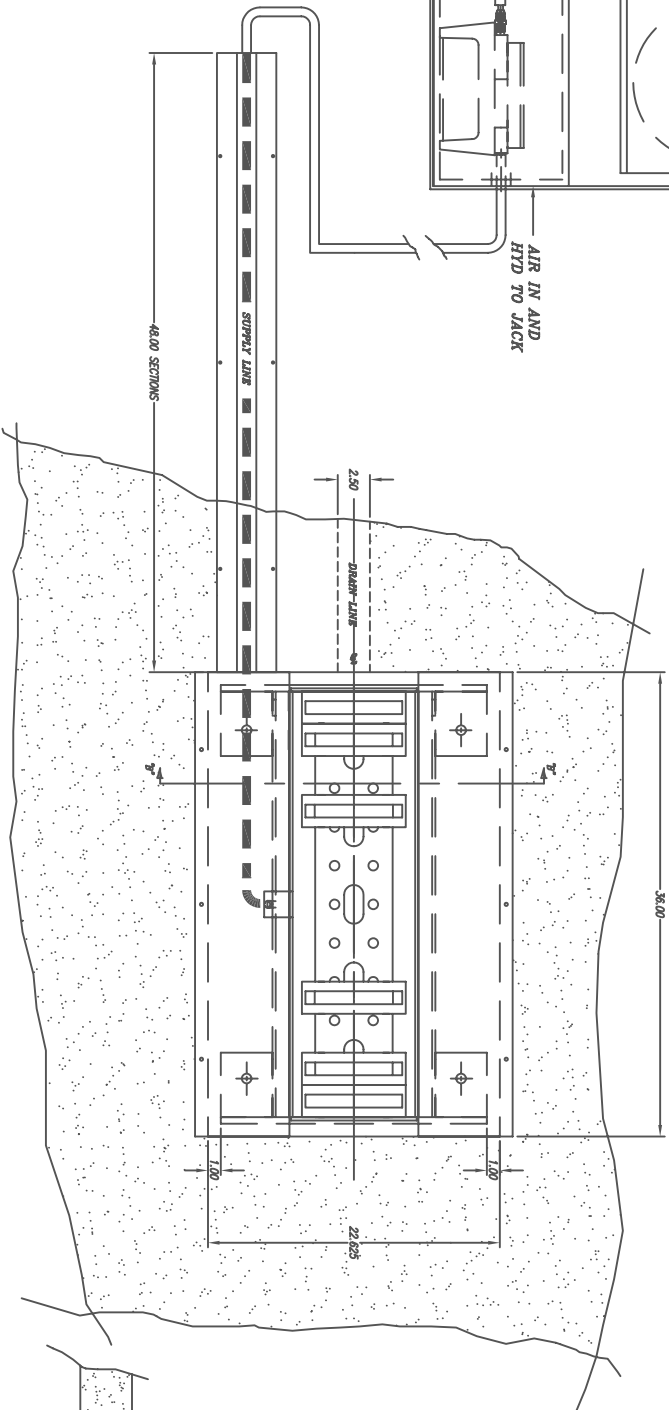
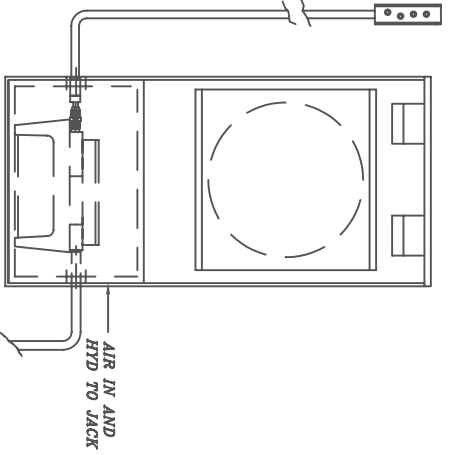
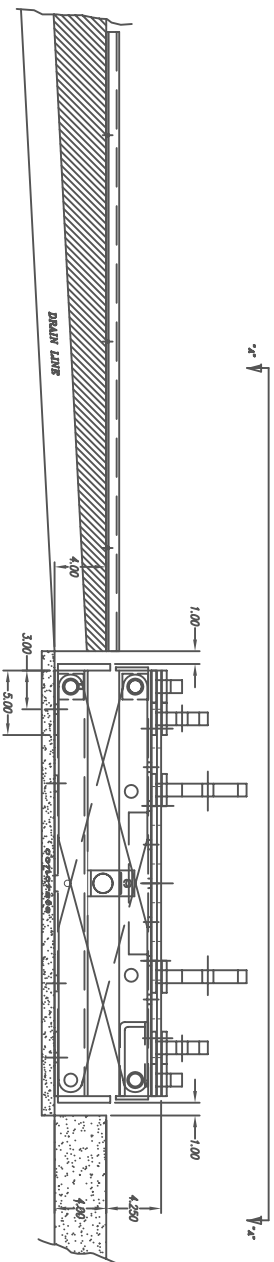


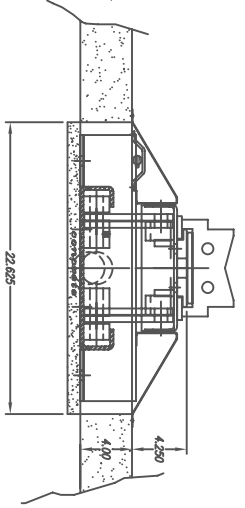
14 FT.



SECTION "A" - "A"



SECTION "B" - "B"



DWG. NO. REFERENCE DWGS.

TOLERANCES

Class of Accuracy	Normal Dimension (MM)	1-3	3-30	30-120	120-300	300-1000	1000-4000	4000-10000
± 0.10	0.10	0.15	0.20	0.30	0.40	0.50	0.60	0.70
± 0.20	0.20	0.30	0.40	0.50	0.60	0.70	0.80	0.90
± 0.30	0.30	0.45	0.60	0.80	1.00	1.20	1.50	1.80
± 0.50	0.50	0.75	1.00	1.50	2.00	2.50	3.00	3.50
± 0.75	0.75	1.10	1.50	2.20	3.00	3.50	4.00	4.50
± 1.00	1.00	1.50	2.00	3.00	4.00	5.00	6.00	7.00
± 1.50	1.50	2.20	3.00	4.50	6.00	7.50	9.00	10.00
± 2.00	2.00	3.00	4.00	6.00	8.00	10.00	12.00	14.00
± 3.00	3.00	4.50	6.00	9.00	12.00	15.00	18.00	21.00
± 4.00	4.00	6.00	8.00	12.00	16.00	20.00	24.00	28.00
± 5.00	5.00	7.50	10.00	15.00	20.00	25.00	30.00	35.00
± 6.00	6.00	9.00	12.00	18.00	24.00	30.00	36.00	42.00
± 8.00	8.00	12.00	16.00	24.00	32.00	40.00	48.00	56.00
± 10.00	10.00	15.00	20.00	30.00	40.00	50.00	60.00	70.00

BILL OF MATERIAL

ITEM QTY	DESCRIPTION	MATERIAL	NOTE	UNIT

ISSUE	BY	DESCRIPTION	CHECK	APP'VD	DATE



TJ12 INGROUND

DRAWN	CHECKED	ENGINEER	PROJ. ENGINEER	PROJ. MANAGER	SCALE
S.C.	B.S.				1" = 6"
DATE	DATE	DATE	DATE	DATE	
OCT, 08					

CAD FILE NAME	DWG. NO.	ISSUE
SDJTJ21A		

CAD PLOT DATE	THIRD ANGLE PROJECTION	SDJTJ21A	SHEET	OF
OCT, 08			1	X