

ENGINE & TRANSMISSION LIFT TABLE

TA2600

STAN DESIGN

www.stanjacks.com

SAFELY AND EFFICIENTLY REMOVE ENTIRE ENGINE ASSEMBLIES
REMOVE OR INSTALL TRANSMISSIONS



TILT
CONTROL

LOW HEIGHT ONLY 23 INCHES

Model TA2600
Engine Lift Table
2600 Lb. Cap
Air/Hydraulic Design
30 Inch X 51 Inch
Drilled and tapped surface for
mounting fixtures
Extendable top Deck
Deck angle also adjustable

Maximum Lift 75 Inches
Convenient pull handle
Dual Hydraulics
Locking Casters
Optional Remote Operated Pump Unit
Optional Fixture Kit
Air/Hydraulic Power Pack



LOCKING CASTERS



EXTENDABLE TOP DECK



FULL HEIGHT 75 INCHES

TOLL FREE 1-866-782-6529

www.stanjacks.com

ENGINE AND TRANSMISSION LIFT TABLE

TA2600 specifications

STAN DESIGN

www.stanjacks.com

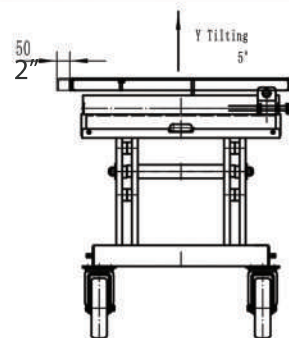
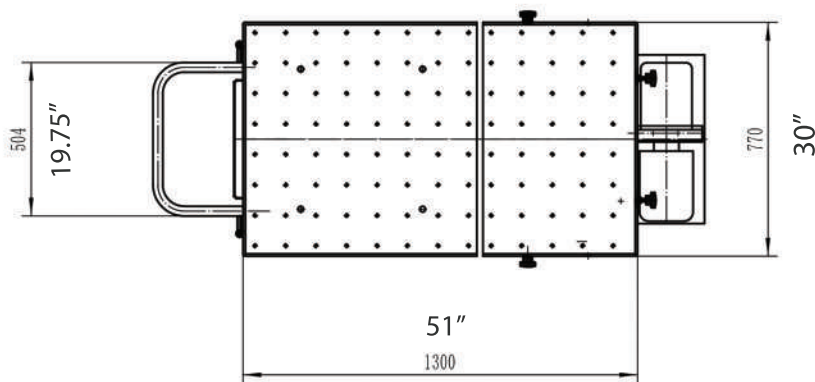
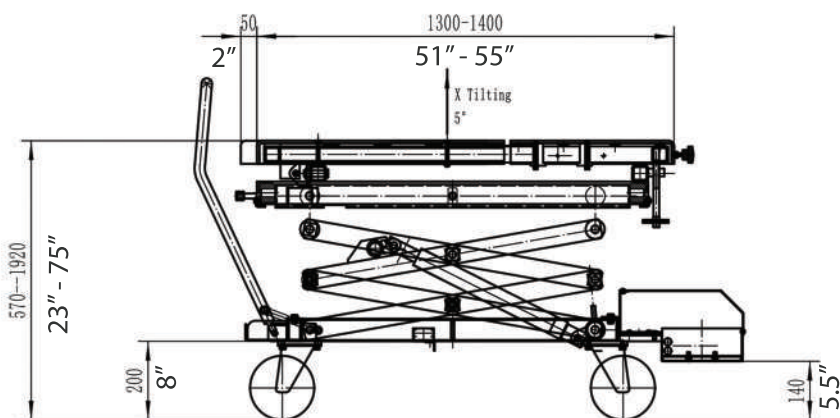
ACCESSORIES



ENGINE FIXTURE KIT

- 4 Engine Stands Short
- 4 Engine Stands Long
- 8 Location Pins
- 4 Rubber Pads
- 1 Transmission Adapter
- 1 Plumb Bob
- 1 connector Bar

Power : Air/Hydraulic



(866) 782-6529