



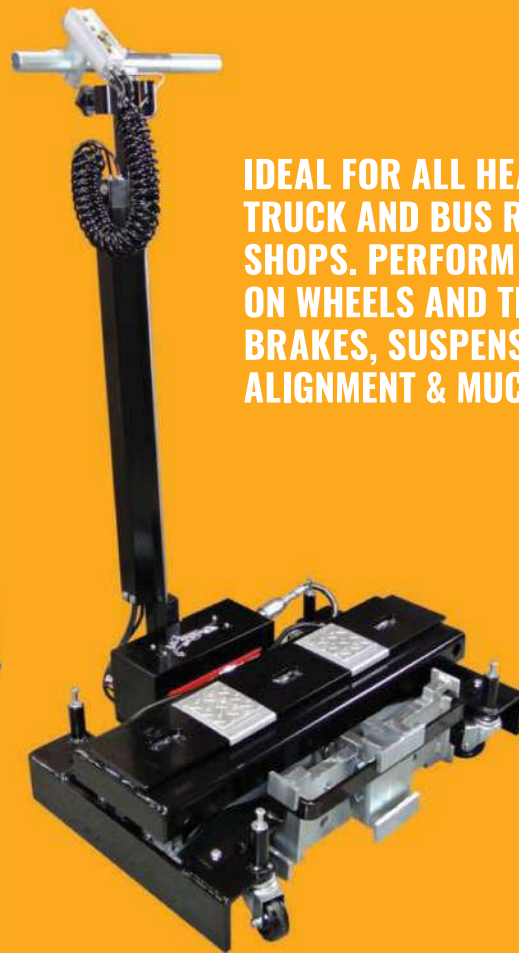
SERVICE JACKS

SCORPION TJ14

NO NEED FOR OTHER JACKS

- TIME IS MONEY! THE SCORPION TJ14 JACK INCREASES THROUGHPUT LIFTING A TRUCK IN SECONDS RATHER THAN SEVERAL MINUTES.
- SAFETY IS PARAMOUNT! THE SCORPION TJ14 HAS 3 STAGE SAFETY LOCK. NO OTHER JACK HAS LOCKS.
- THE SCORPION TJ14 CAN LIFT ON THE AXLE, OR ON THE FRAME, LIFTS TRAILERS, AND OTHER EQUIPMENT.

IDEAL FOR ALL HEAVY-DUTY TRUCK AND BUS REPAIR SHOPS. PERFORM SERVICE ON WHEELS AND TIRES, BRAKES, SUSPENSION, ALIGNMENT & MUCH MORE.



- Handle extends to 9 Ft.
- Lower the Scorpion's handle and it glides easily under the lowest truck axles and the deepest overhangs
- Easy to use control handle up & down buttons detachable pendant remote
- The Scorpions vertical handle provides a comfortable working position... no more back pain

STAN DESIGN

866 782 6529 · STANJACKS.COM



FLOOR JACKS SCORPION TJ14



Low profile only 8.25"



Full floating casters very manoeuvrable.



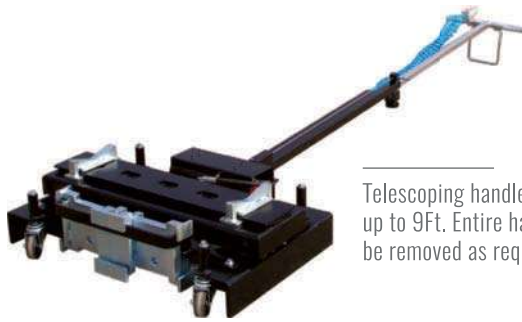
Built in 3 stage safety lock no stands required.



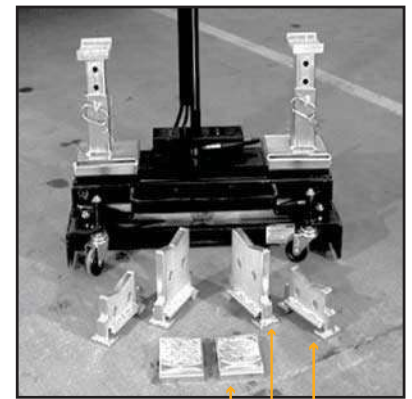
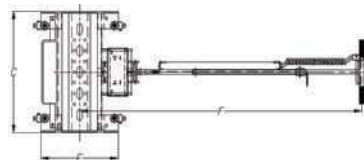
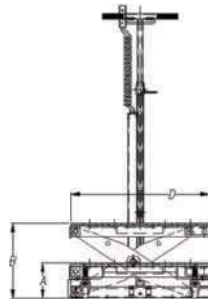
Control handle with detachable pendant remote control.

TJ14 Features

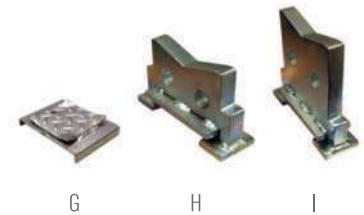
- + 28,000 lb. capacity 14 tons
- + Only 8.25" tall, goes under the lowest trucks
- + Two points of contact when lifting, safer
- + Air/hydraulic design NO PUMPING REQUIRED
- + Lifts over 20" with a built in 3 stage safety lock
No need for vehicle stands
- + Full floating casters for easy manoeuvring
- + Very small foot print doesn't take up much room
- + A selection of three different saddles low/med/high
- + Saddle storage right on the jack
- + Comfortable control handle extends up to 9ft



Telescoping handle extends up to 9ft. Entire handle can be removed as required



Trailer Adapters G H I



| Model | A | B | C | D | E | F | G | H | I | CAPACITY | SHIPPING |
|-------|---------|---------|---------|---------|---------|-----------|--------|---------|---------|--------------|-----------|
| TJ14 | 8.5 | 18 | 34 | 33 | 21.5 | 65-108 | 0.5 | 4 | 7 | 28,000 lb | 349 lb |
| | 21.59cm | 45.72cm | 86.36cm | 83.83cm | 53.96cm | 165-274cm | 1.27cm | 10.16cm | 17.78cm | 12,727.27 Kg | 158.63 Kg |

Dealer/Distributor

In line with our policy of continuing research & development, modifications in design, dimensions, and appearance are incorporated periodically. Therefore, we reserve the right to alter design, dimensions, and appearance etc., without notice.

