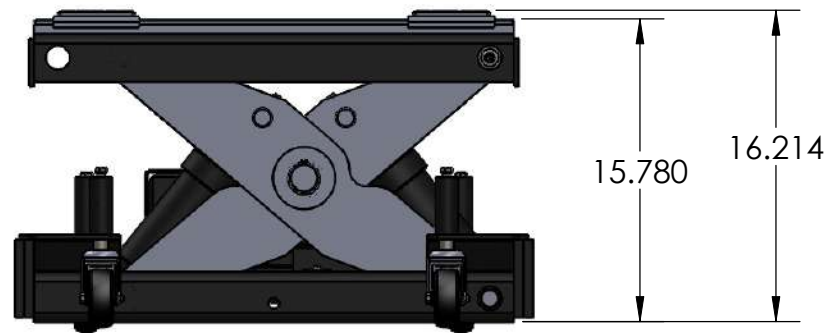
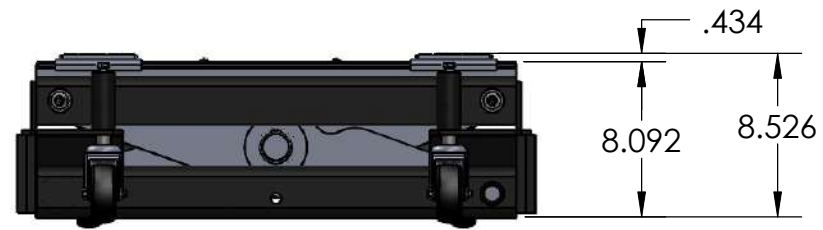


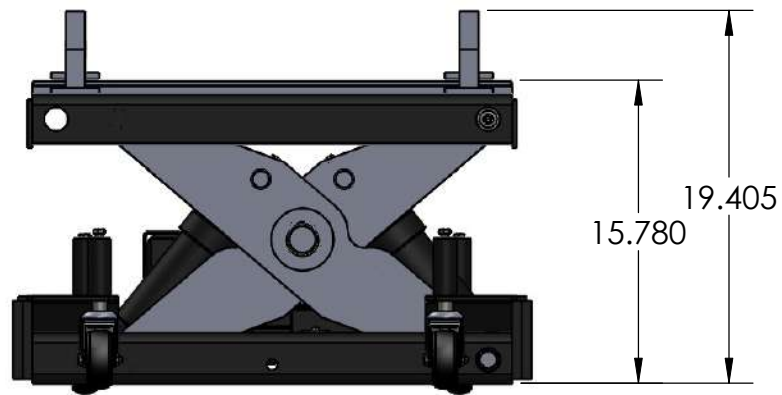
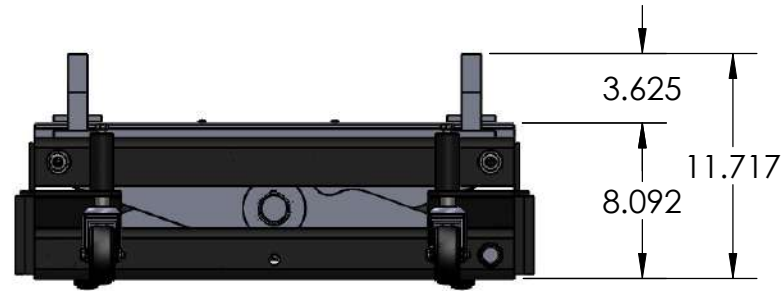
# TJ12S with Low Profile Lifting Adaptors:



CAPACITY  
**24,000 Lbs.**

MODEL NO.  
**TJ12S**

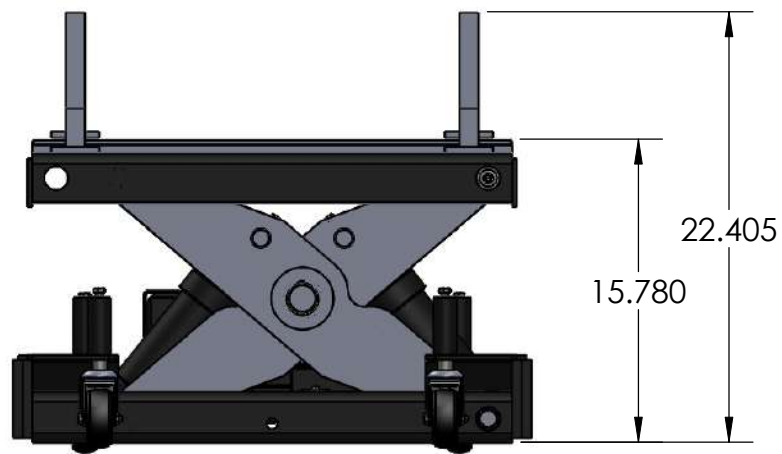
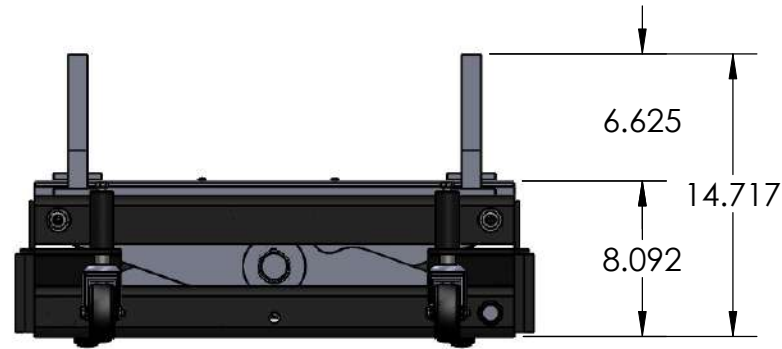
# TJ12S with Medium Profile Lifting Adaptors:



CAPACITY  
24,000 Lbs.

MODEL NO.  
TJ12S

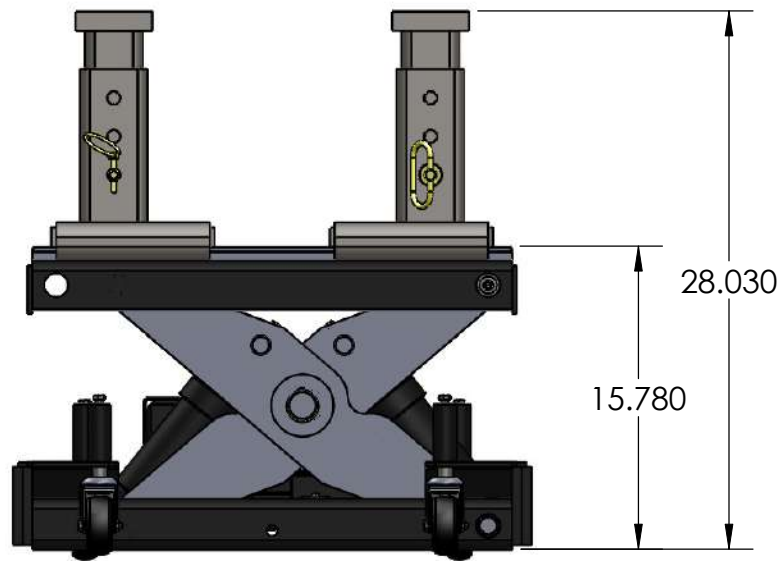
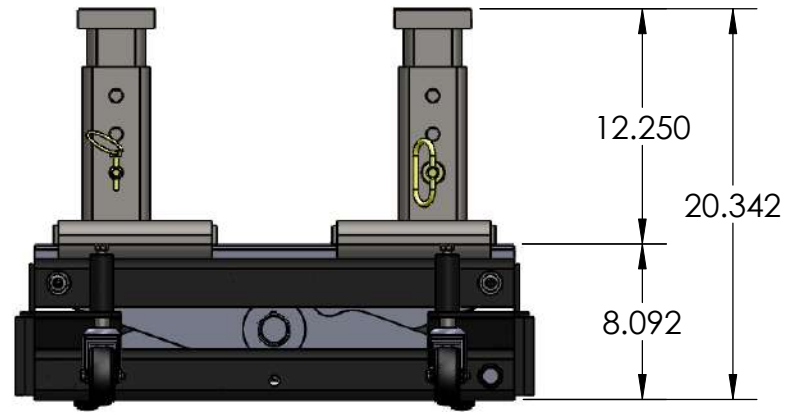
## TJ12S with High Profile Lifting Adaptors:



CAPACITY  
24,000 Lbs.

MODEL NO.  
TJ12S

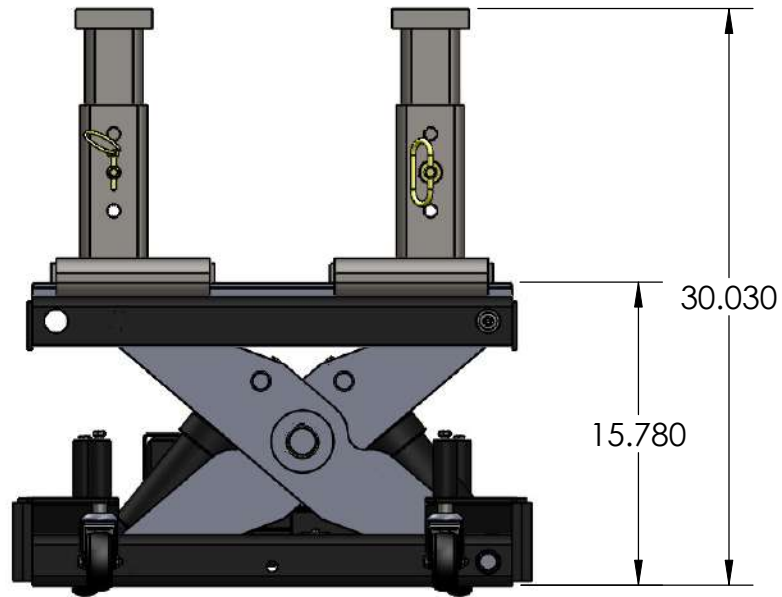
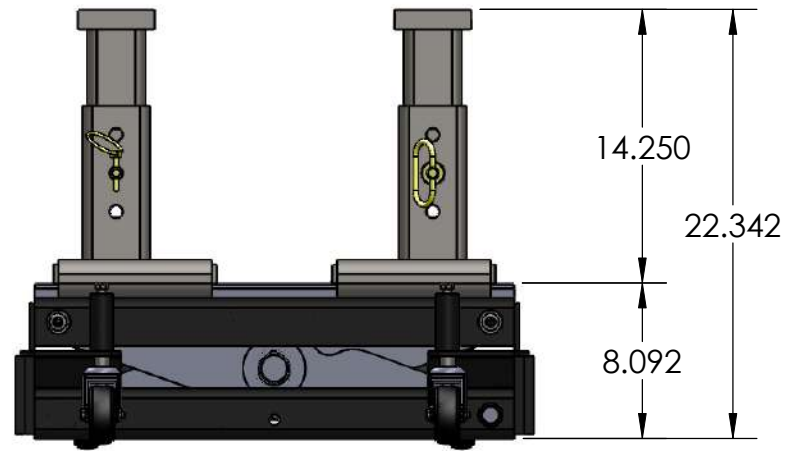
# TJ12S with Trailer Lifting Adaptors - First Position:



CAPACITY  
**24,000 Lbs.**

MODEL NO.  
**TJ12S**

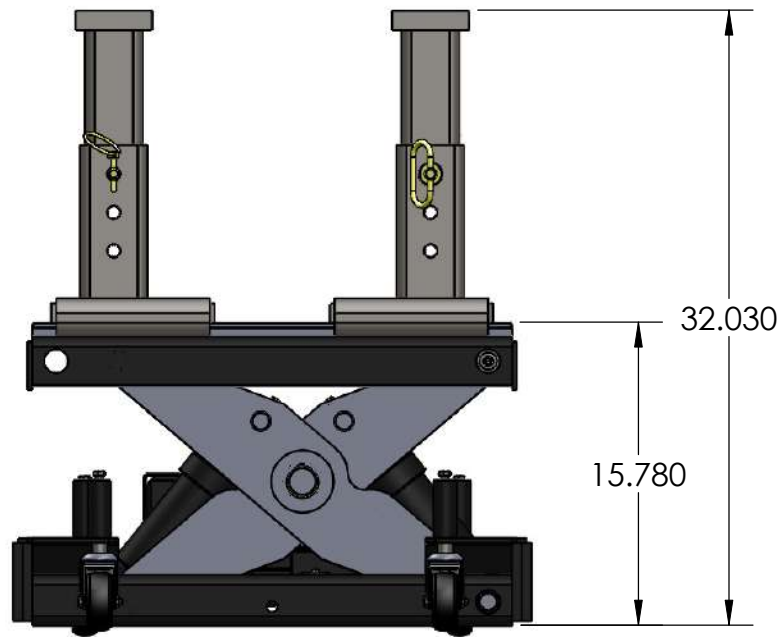
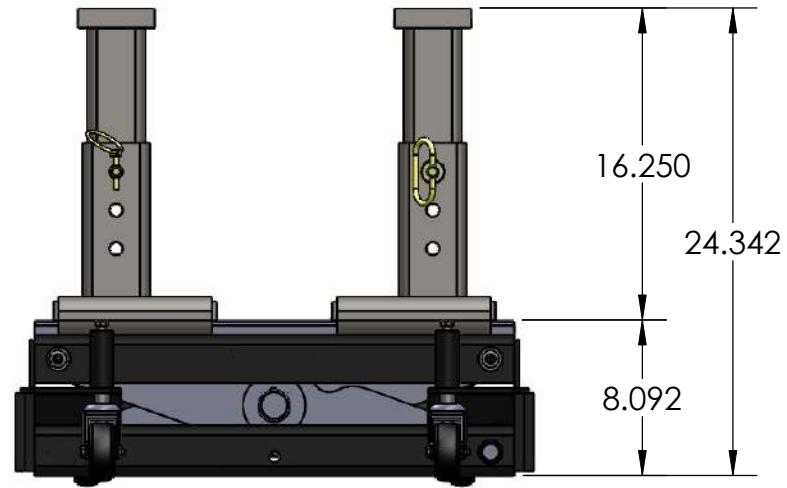
# TJ12S with Trailer Lifting Adaptors - Second Position:



CAPACITY  
**24,000 Lbs.**

MODEL NO.  
**TJ12S**

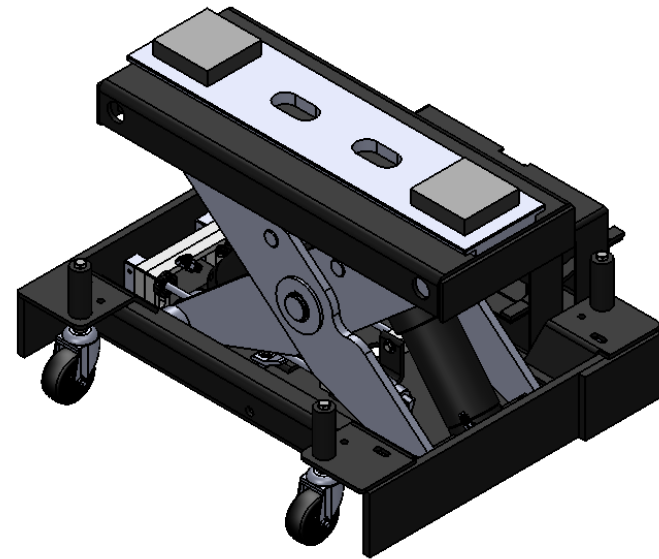
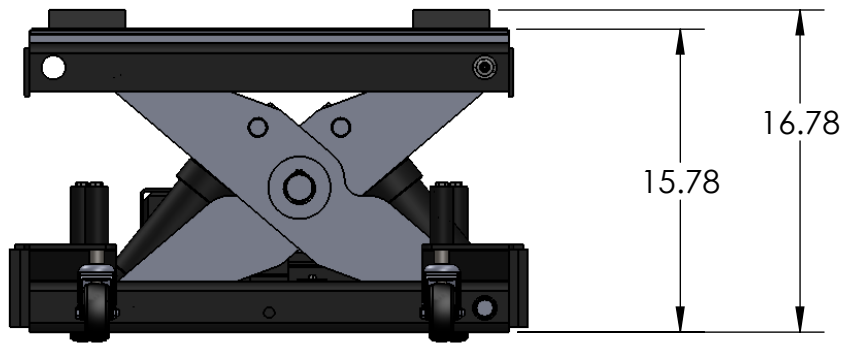
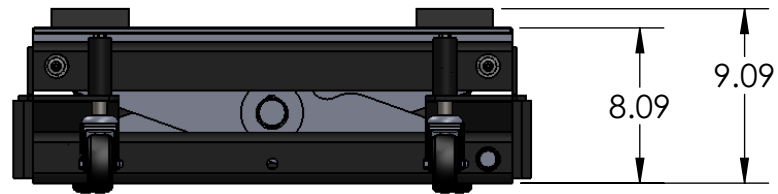
# TJ12S with Trailer Lifting Adaptors - Third Position:



CAPACITY  
24,000 Lbs.

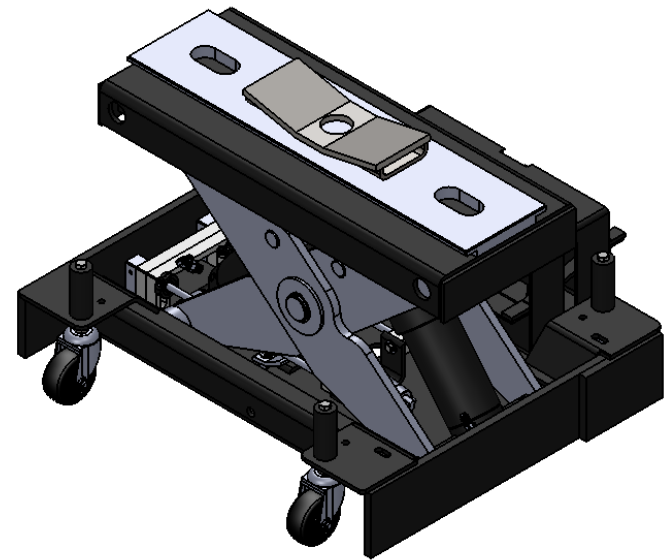
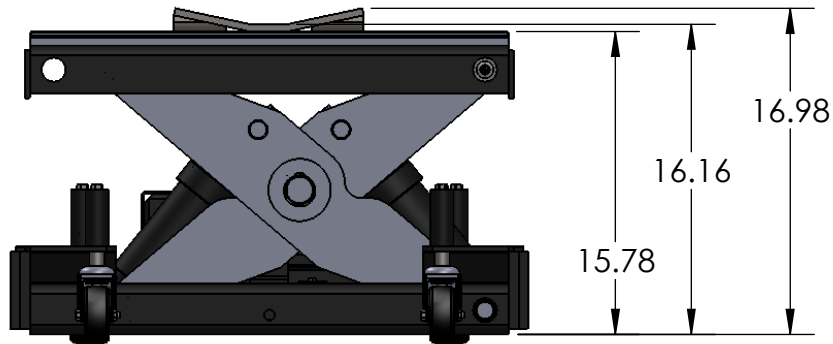
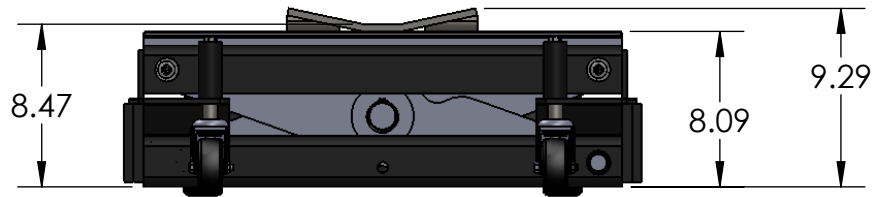
MODEL NO.  
TJ12S

# TJ12S with Rubber Lifting Block Adapters:



	CAPACITY	MODEL NO.
	24,000 LBS	TJ12S

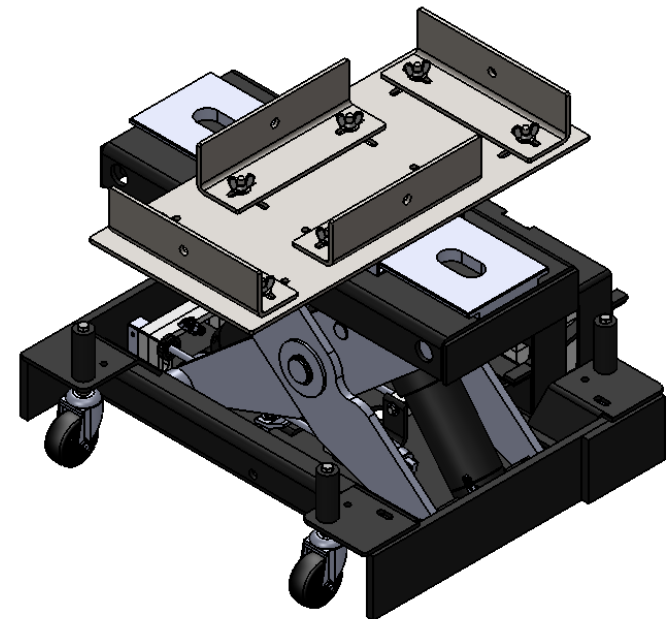
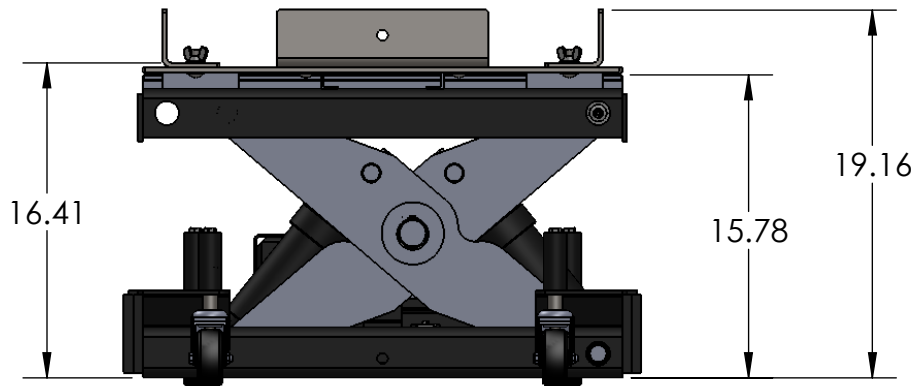
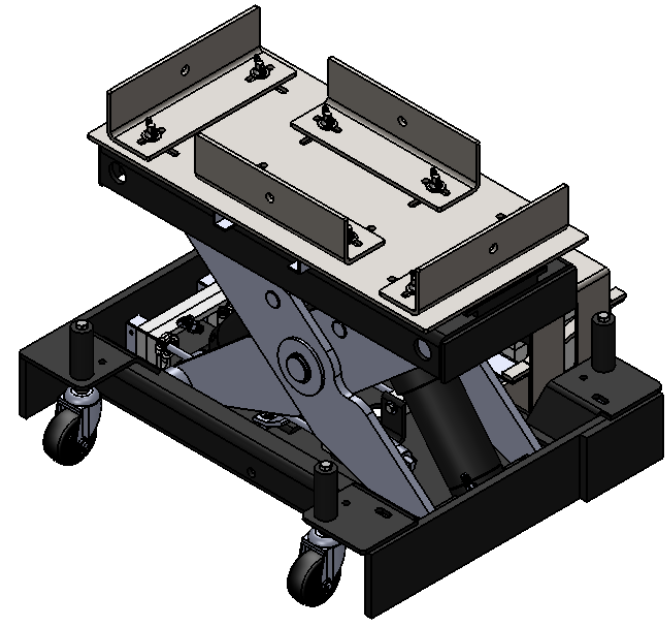
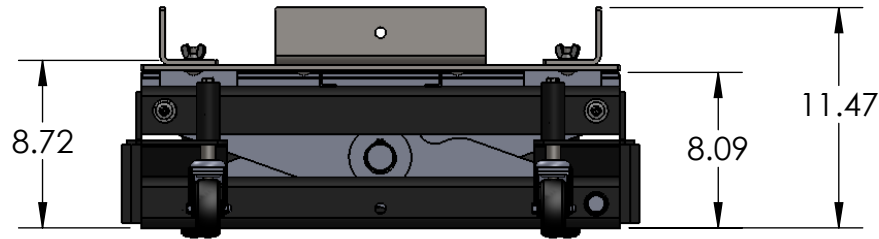
# TJ12S with Differential Adapters:



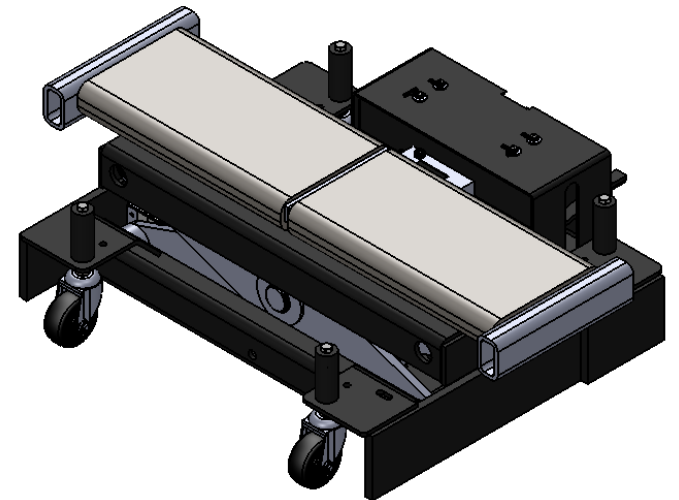
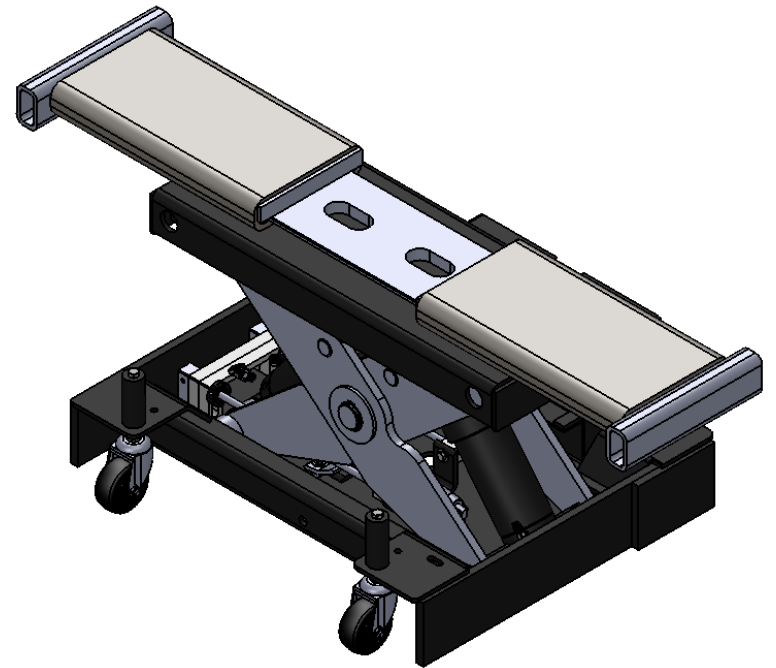
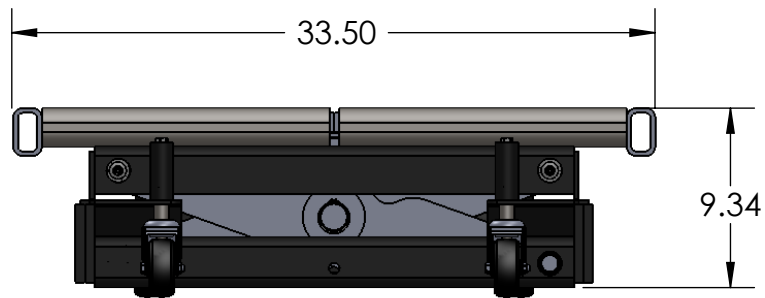
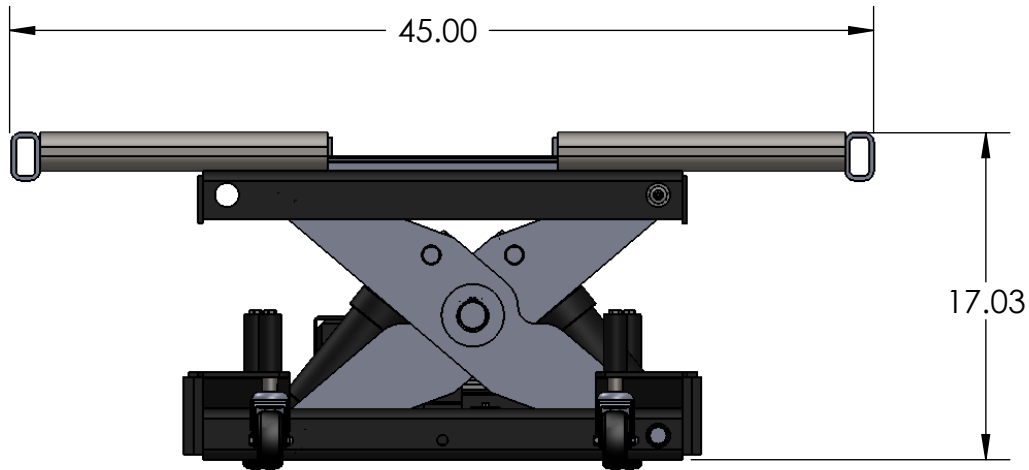
<b>STAN DESIGN</b>	CAPACITY	MODEL NO.
	24,000 LBS	TJ12S



# TJ12S with Transmission Adapters:



# TJ12S with Top Beam Extension Adapters:



	CAPACITY	MODEL NO.
	24,000 LBS	TJ12S