

HEAVY-DUTY PIT JACKS PJ20FE



Turn your under-utilized inspection pit/lube pit into a full service bay with a PJ20FE In Floor Pit Jack

PJ20FE rolls in the bottom of your pit



- Dual acting telescoping cylinder
- Dual controls
- Mechanical lock
- Moves easily in the pit
- Cross beam adapter
- Lifts 24 Inches
- Many accessories available



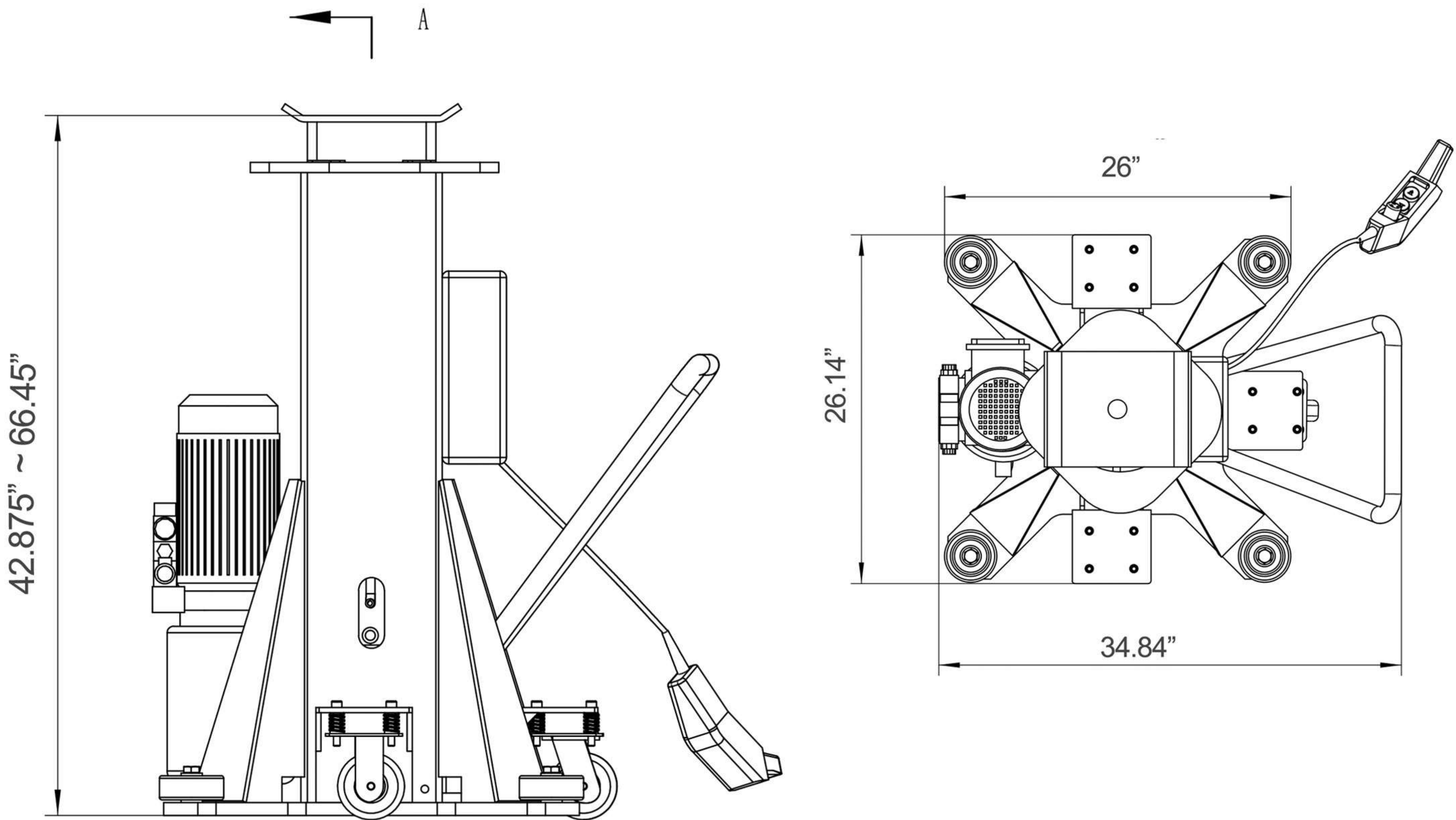
20 Ton Cap.
Dual Speed Control
220V 1 Phase Power



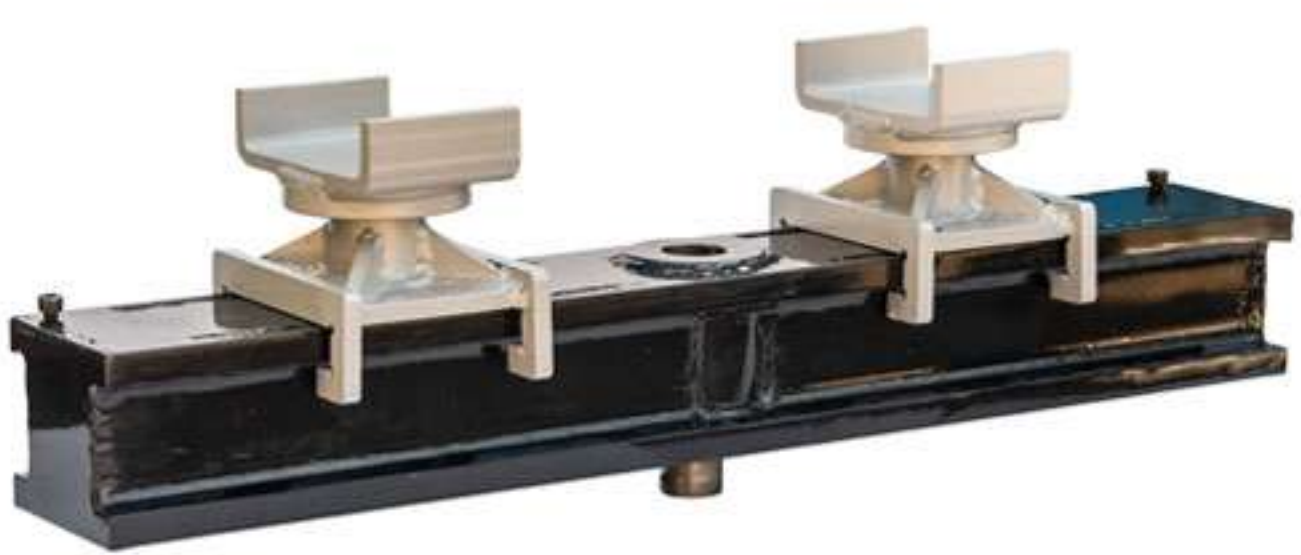
PIT JACKS

SCORPION PJ20FE

SPECIFICATIONS



POWER: 220V 1 Phase



Lifting Saddles Included

STAN DESIGN

866 782 6529 · STANJACKS.COM