

HEAVY-DUTY  
PIT JACKS

# SCORPION PJ15



Turn your under-utilized inspection pit or lube pit into a full service bay with a PJ15 Pit Jack

Ideal for all Heavy-Duty Truck and Bus repair shops.



Perform service on  
wheels and tires  
brakes & suspension  
alignment and much more...

15,000 Lb. Cap.  
Dual Hydraulic Cylinders  
Three Stage Safety Lock  
Low Profile Design

# HEAVY-DUTY PIT JACKS

# SCORPION PJ15



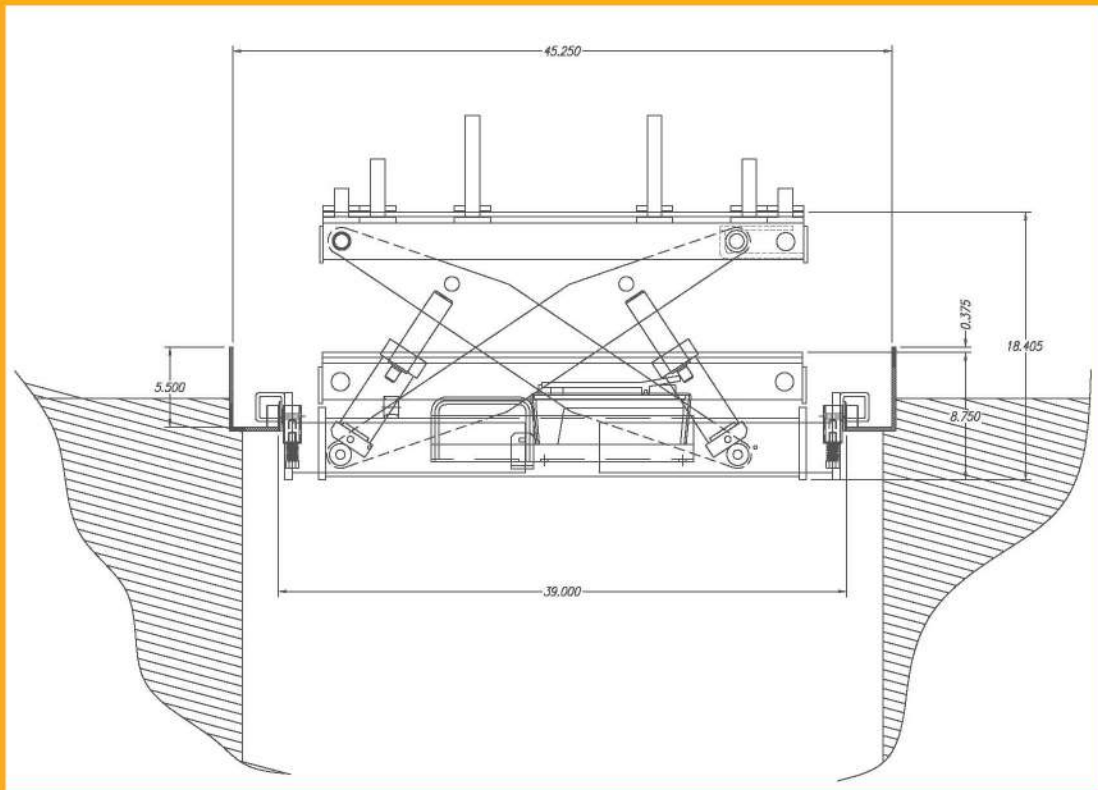
Lock engaged



Lock dis-engaged

All new three stage safety lock  
with pneumatic release

Typical Pit



All Scorpion Pit Jacks are custom designed to fit your pit

**STAN DESIGN**

866 782 6529 · STANJACKS.COM