

# HEAVY-DUTY PIT JACKS PJ20DH



Turn your under-utilized inspection pit  
or lube pit into a full service bay with  
a PJ20DH Pit Jack

Ideal for all Heavy-Duty Truck and Bus  
repair shops.



Lifting cylinders work together  
or Individually  
Fits pits from 24 Inches to 55 Inches  
Cylinder stroke 16.5 Inches  
Many lifting accessories available

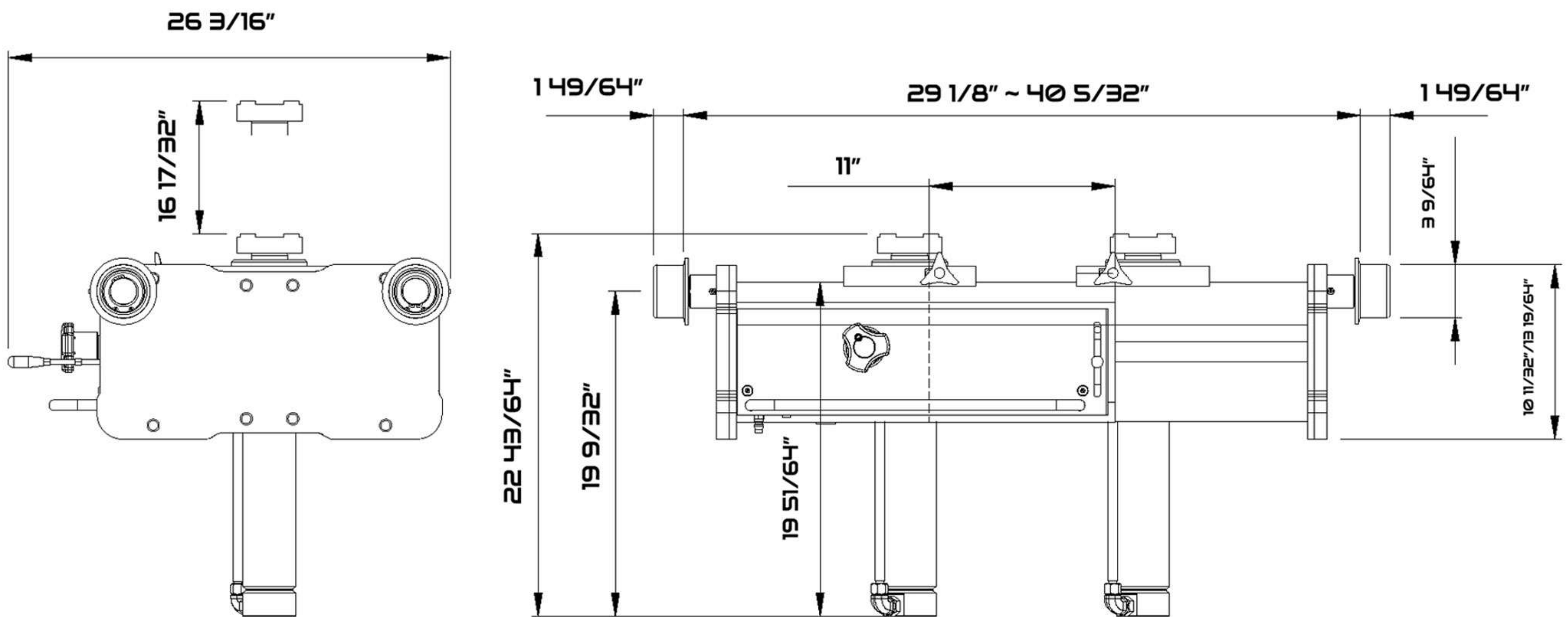
20 Ton Capacity.  
Dual Hydraulic Cylinders  
Dual Speed Control  
Low Profile Design  
Runs on Compressed Air

PIT JACKS



# SCORPION PJ20DH

## SPECIFICATIONS



POWER: 110-120 PSI



Lifting Saddles Included

STAN DESIGN

866 782 6529 · STANJACKS.COM