



PIT JACKS

**SCORPION PJ25S**



## PJ25S



Turn your inspection pit or lube pit into a full service bay by adding our PJ25S Pit Jack.

Low profile  
Passable in the pit just duck underneath

### APPLICATIONS

Inspection Pits, Lube Pits  
Alignment Systems  
Ramp Systems  
Above Ground Lifts

### FEATURES

25,000 Lb. Cap  
Air/Hydraulic Scissor Design  
Multi-Level Lock  
Low and High Saddles  
Small Foot Print

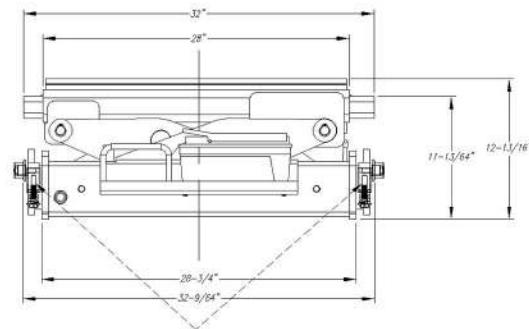
PIT JACKS



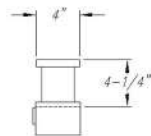
# SCORPION PJ25S

## SPECIFICATIONS

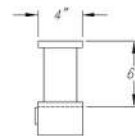
Jack Closed with Arms Fully Retracted



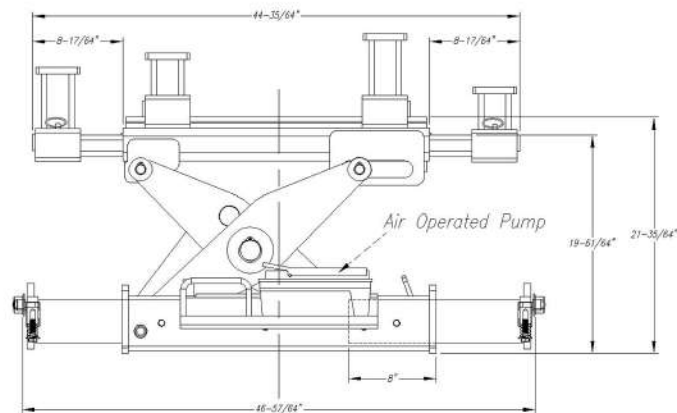
Wheel Assemblies



Low Lifting Adaptor



High Lifting Adaptor



Jack Fully Open with Arms Extended