



PIT JACKS

SCORPION



PJ35S

PJ35S

Turn your inspection pit or lube pit into a full service bay by adding our PJ35S Pit Jack.



Low profile
Passable in the pit just duck underneath

APPLICATIONS

Inspection Pits, Lube Pits
Alignment Systems
Ramp Systems
Above Ground Lifts

FEATURES

35,000 Lb. Cap
Air/Hydraulic Scissor Design
Multi-Level Lock
Low and High Saddles
Small Foot Print

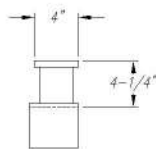
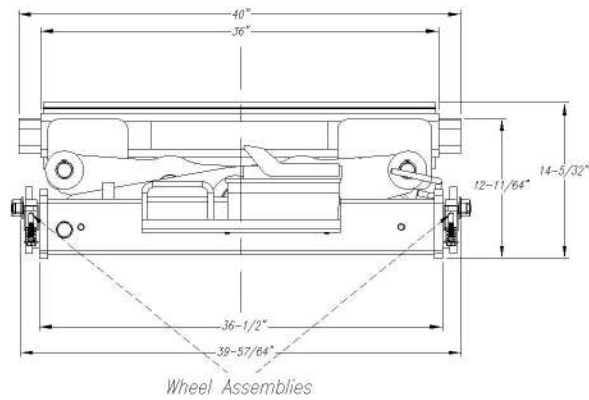
PIT JACKS



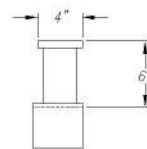
SCORPION PJ35S

SPECIFICATIONS

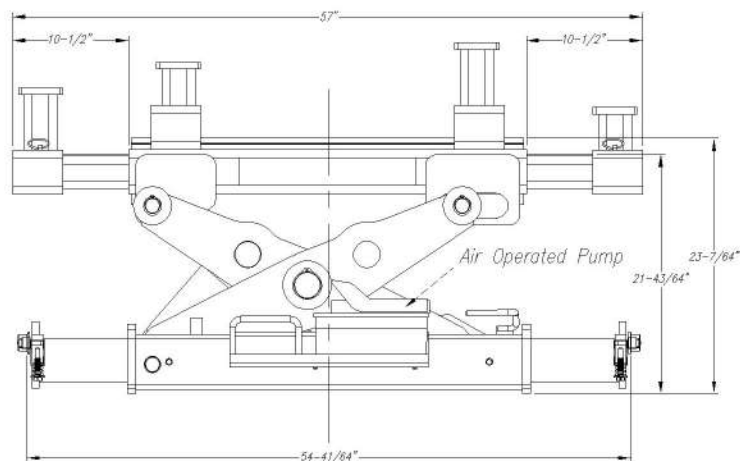
Jack Closed with Arms Fully Retracted



Low Lifting Adaptor



High Lifting Adaptor



Jack Fully Raised with Arms extended

