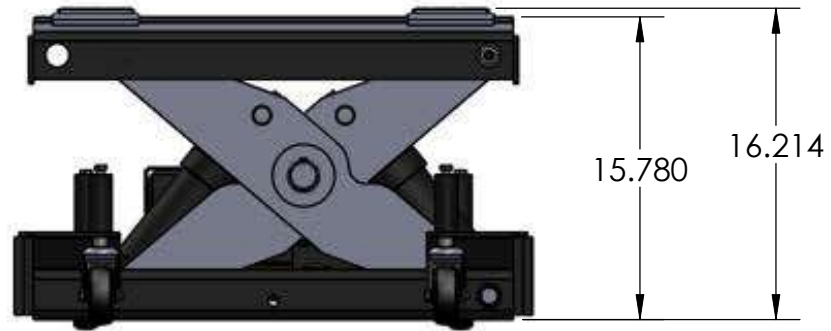
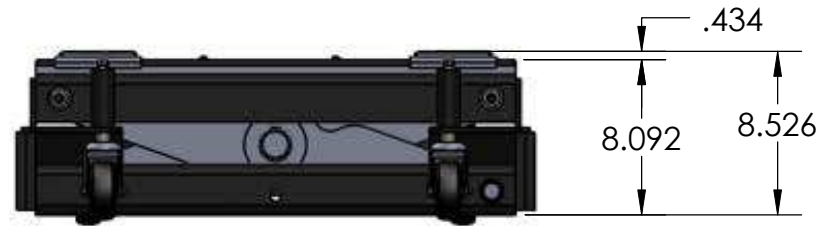


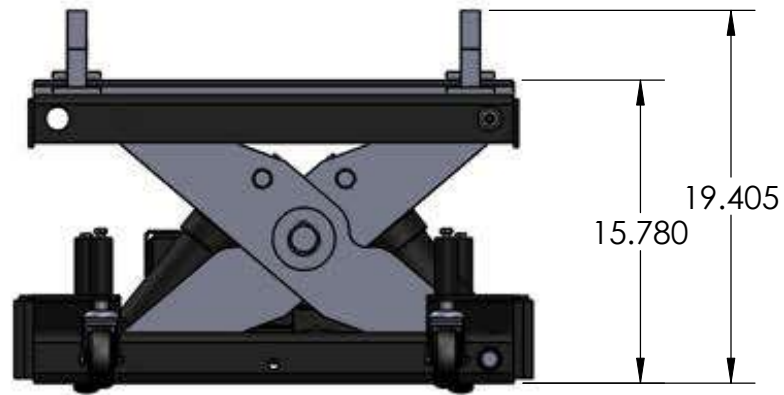
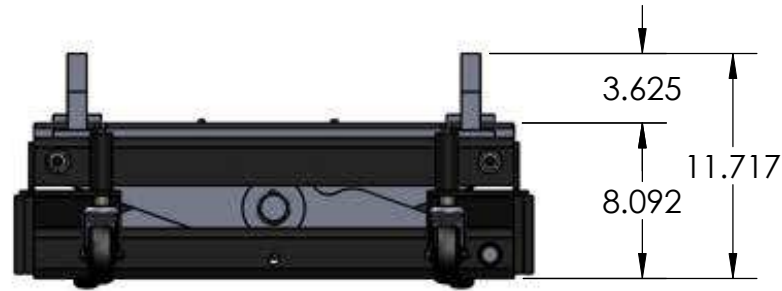
TJ12S with Low Profile Lifting Adaptors:



CAPACITY
24,000 Lbs.

MODEL NO.
TJ12S

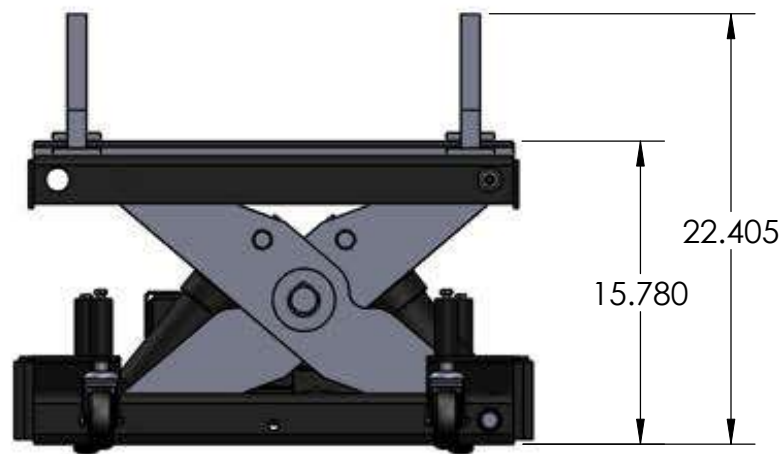
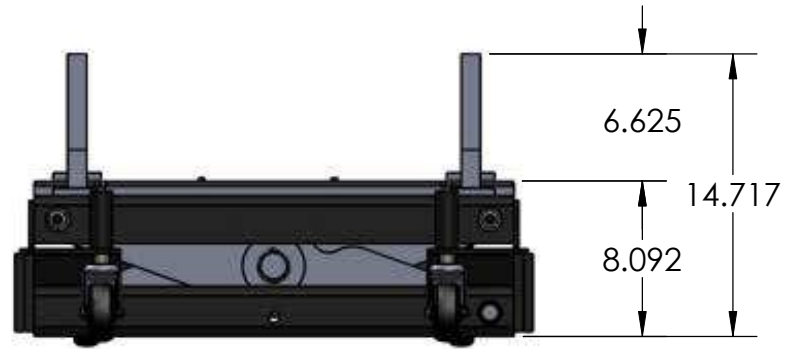
TJ12S with Medium Profile Lifting Adaptors:



CAPACITY
24,000 Lbs.

MODEL NO.
TJ12S

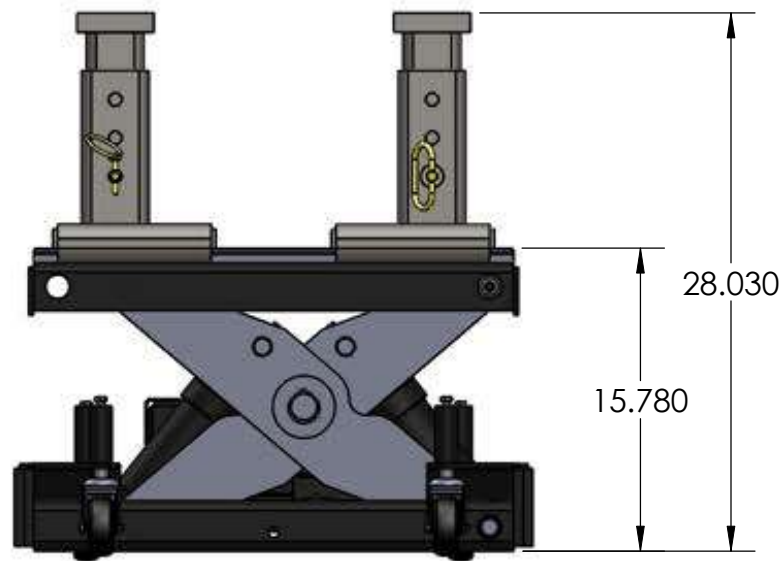
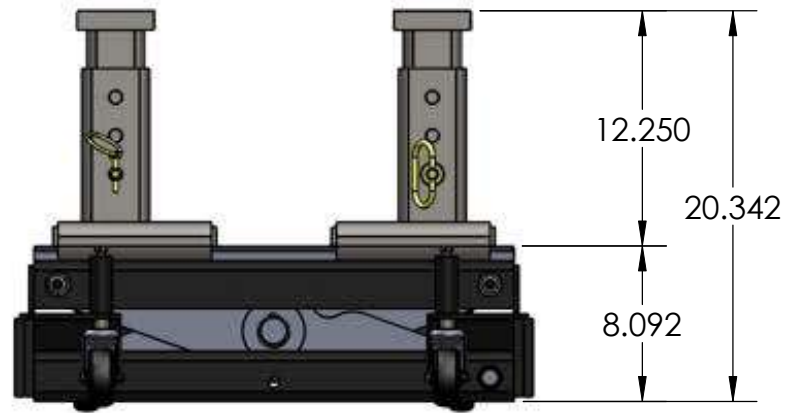
TJ12S with High Profile Lifting Adaptors:



CAPACITY
24,000 Lbs.

MODEL NO.
TJ12S

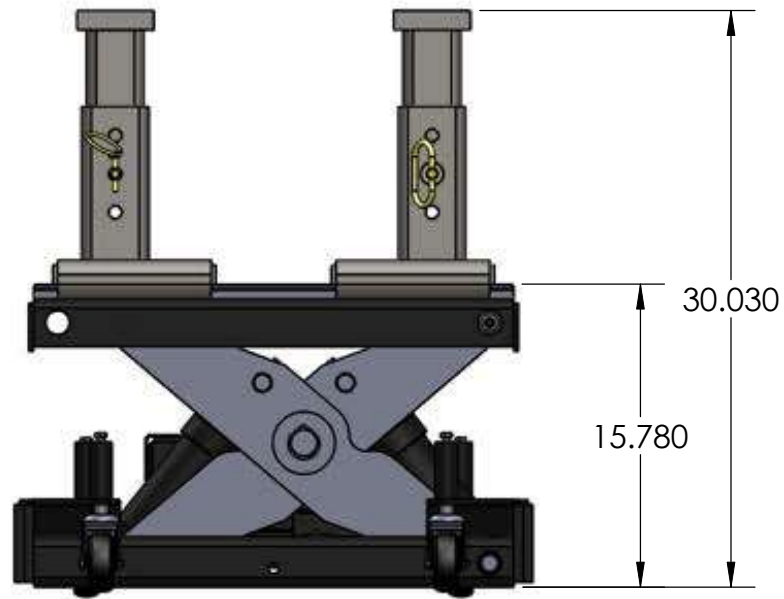
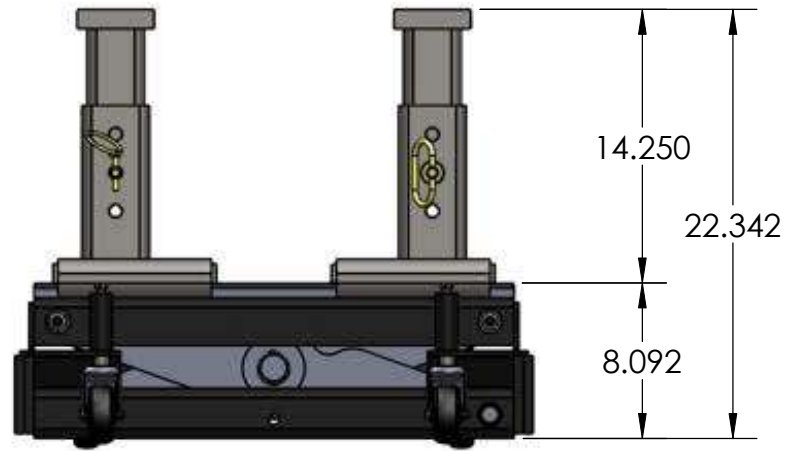
TJ12S with Trailer Lifting Adaptors - First Position:



CAPACITY
24,000 Lbs.

MODEL NO.
TJ12S

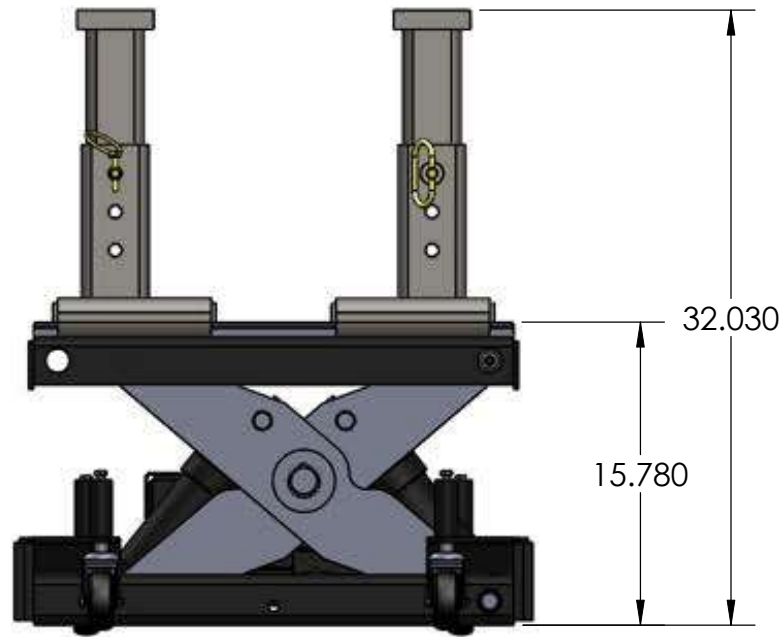
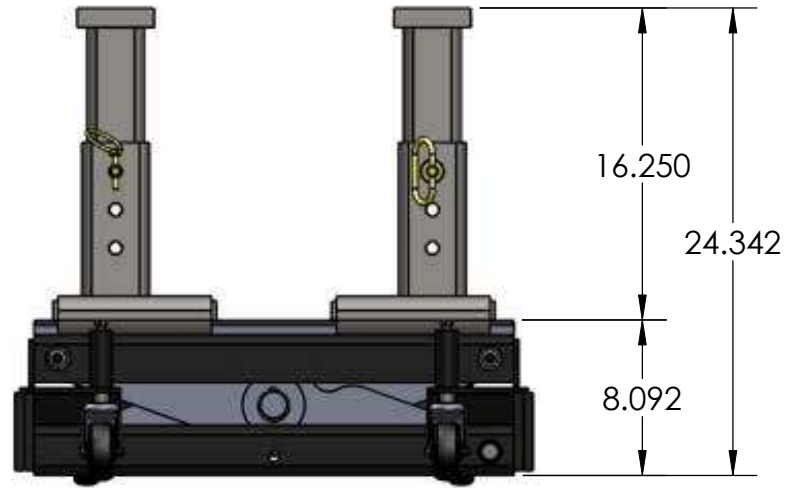
TJ12S with Trailer Lifting Adaptors - Second Position:



CAPACITY
24,000 Lbs.

MODEL NO.
TJ12S

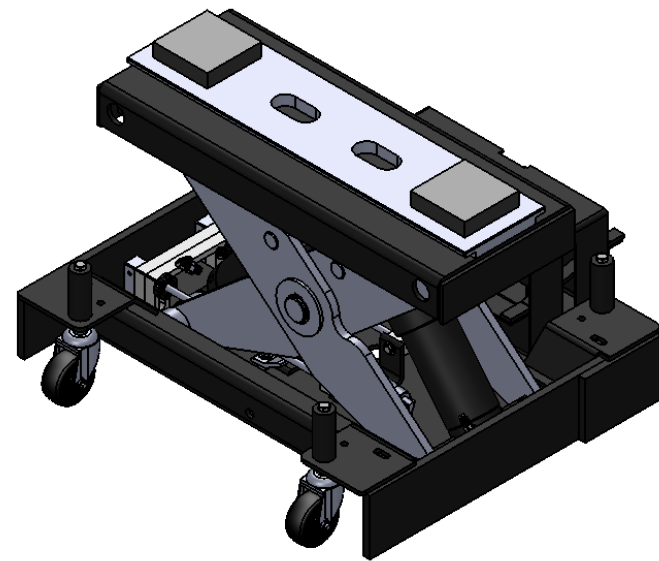
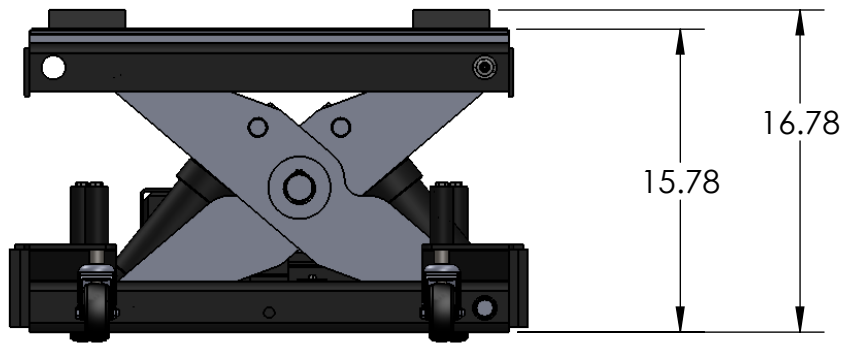
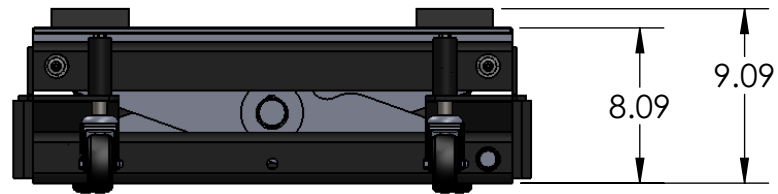
TJ12S with Trailer Lifting Adaptors - Third Position:



CAPACITY
24,000 Lbs.

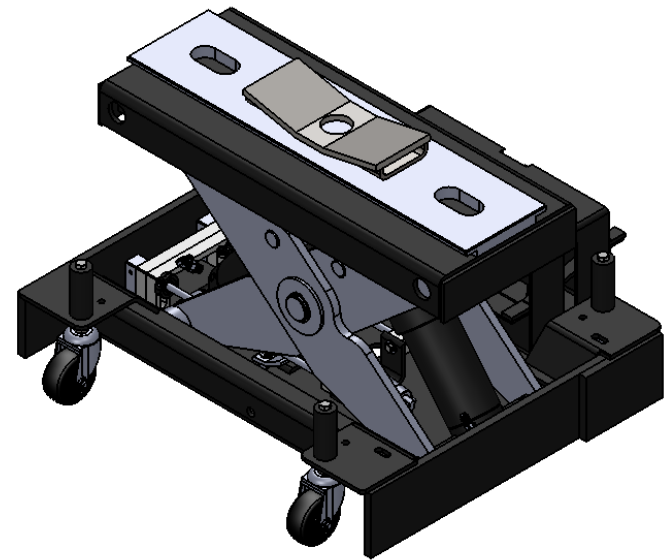
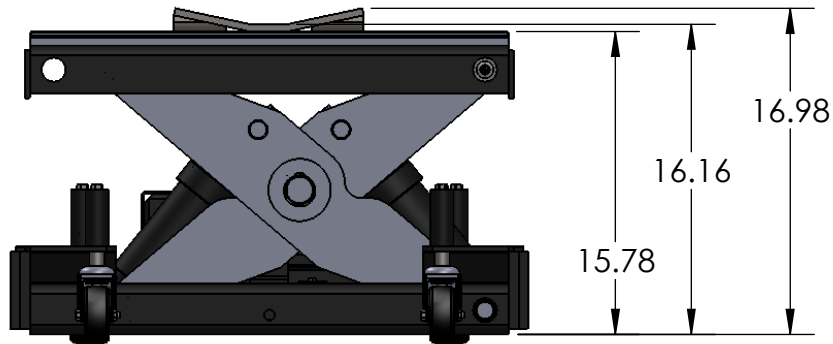
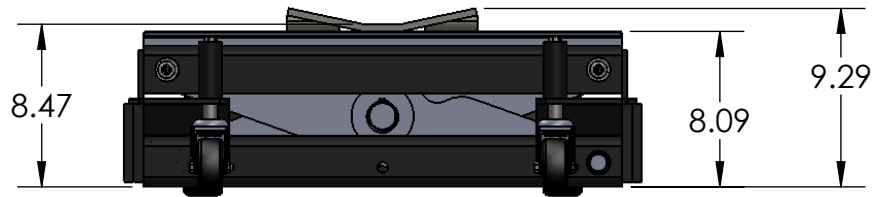
MODEL NO.
TJ12S

TJ12S with Rubber Lifting Block Adapters:



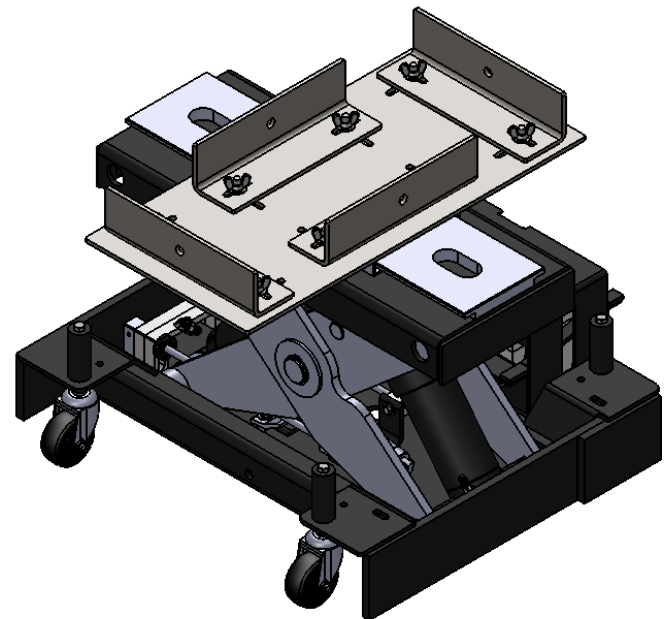
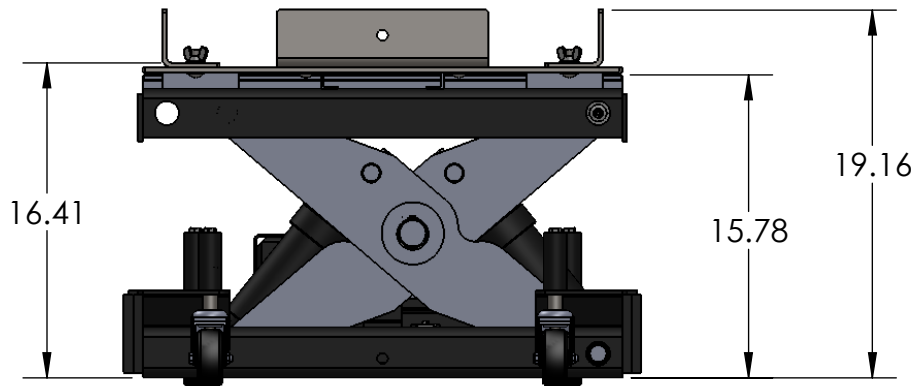
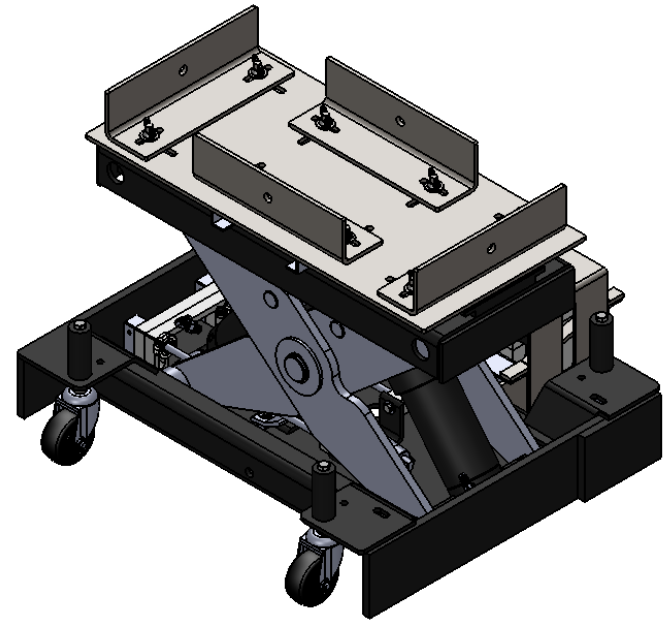
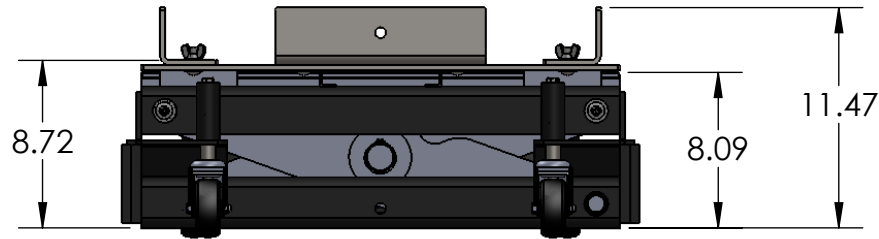
STAN DESIGN	CAPACITY	MODEL NO.
	24,000 LBS	TJ12S

TJ12S with Differential Adapters:

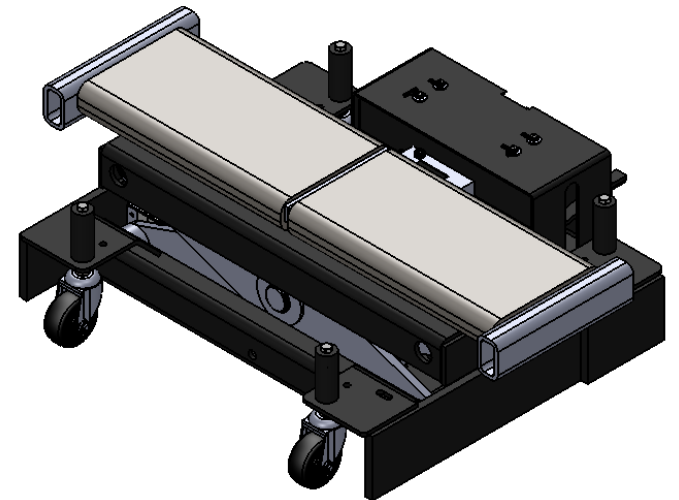
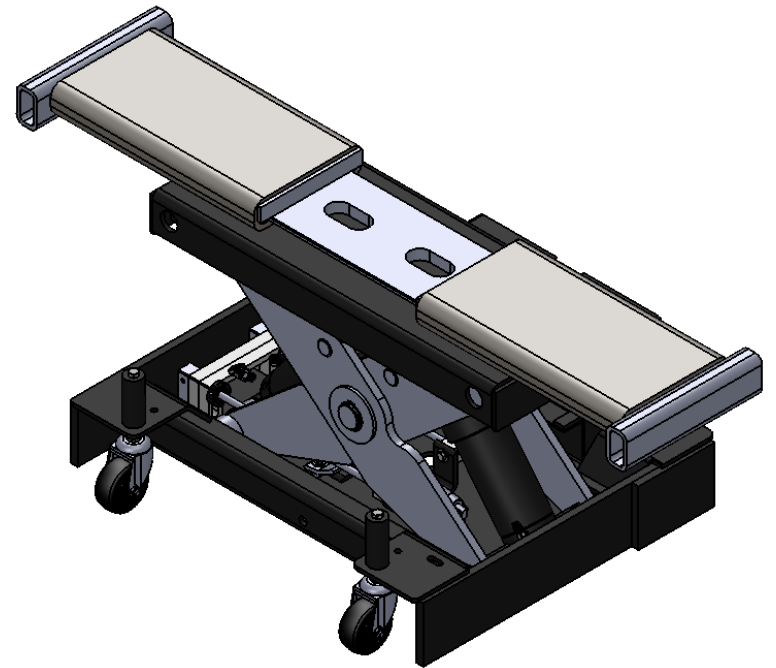
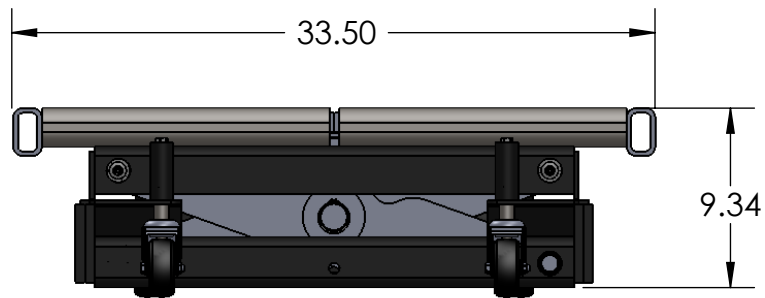
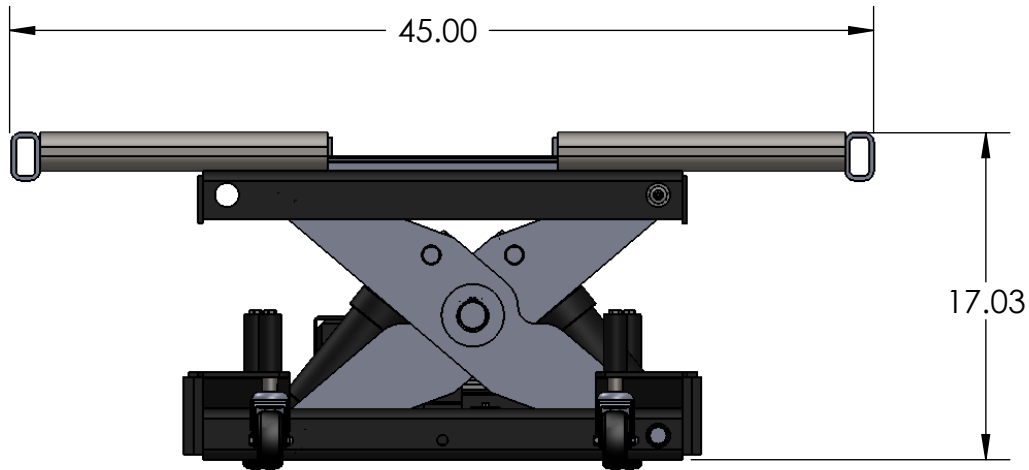


	CAPACITY	MODEL NO.
	24,000 LBS	TJ12S

TJ12S with Transmission Adapters:



TJ12S with Top Beam Extension Adapters:



STAN DESIGN	CAPACITY	MODEL NO.
	24,000 LBS	TJ12S