



SERVICE JACKS SCORPION TJ12S

NO NEED FOR OTHER JACKS

- TIME IS MONEY! THE **SCORPION TJ12S** JACK INCREASES THROUGHPUT LIFTING A TRUCK IN SECONDS RATHER THAN SEVERAL MINUTES.
- SAFETY IS PARAMOUNT! THE **SCORPION TJ12S** HAS 3 STAGE SAFETY LOCK. NO OTHER JACK HAS LOCKS.
- VERSATILITY! THE **SCORPION TJ12S** CAN BE USED WITH VEHICLE STANDS IF YOU NEED IT FOR ANOTHER JOB.

IDEAL FOR ALL HEAVY-DUTY TRUCK & BUS REPAIR SHOPS. REPLACE YOUR 22 TON AIR JACKS WITH THE TJ12S... IT DOES MORE AND IS BUILT TO LAST!



- Handle extends to 9 Ft.
- Lower the Scorpion's handle and it glides easily under the lowest truck axles and the deepest overhangs

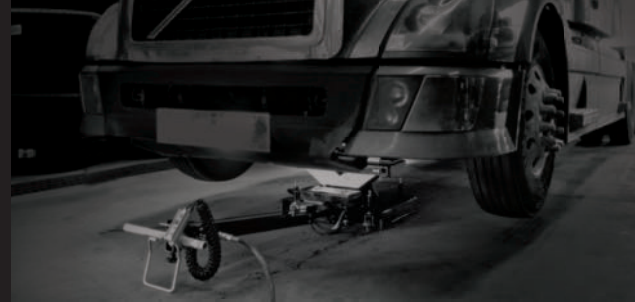
- Easy to use control handle up & down buttons detachable pendant remote
- The Scorpions vertical handle provides a comfortable working position... no more back pain

STAN DESIGN

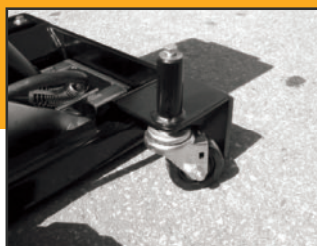
866 782 6529 · STANJACKS.COM



FLOOR JACKS SCORPION TJ12S



TJ12S at work easily lifting the rear end.



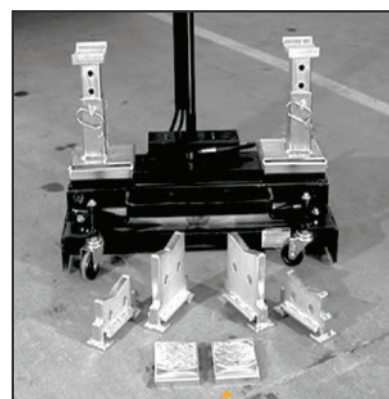
Full floating casters very manouverable.



Low profile only 8.25"



Built in 3 stage safety lock no stands required.

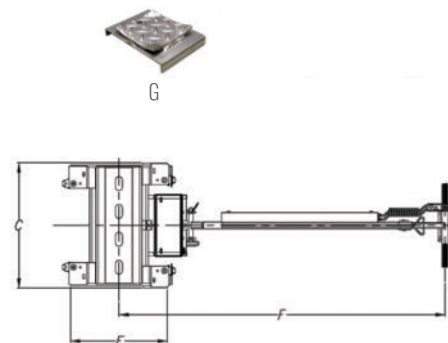
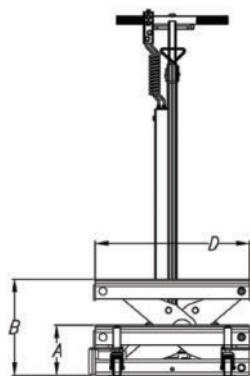


Trailer Adapters

G

TJ12S Features

- + 24,000 lb. capacity 12 tons
- + Only 7.5" tall, goes under the lowest trucks
- + Two points of contact when lifting, safer
- + Air/hydraulic design NO PUMPING REQUIRED
- + Lifts over 19" with a built in 3 stage safety lock
No need for vehicle stands
- + Full floating casters for easy manouvering -
Very small foot print doesn't take up much room



Model	A	B	C	D	E	F	G	CAPACITY	SHIPPING
TJ12S	8	15.75	27	25	21.5	65-108	0.5	24,000 lb.	300 lb.
	20.3cm	40cm	68.58cm	63.50cm	54.61cm	165-274cm	1.27cm	10909 Kg	136.36 Kg

Dealer/Distributor

In line with our policy of continuing research & development, modifications in design, dimensions, and appearance are incorporated periodically. Therefore, we reserve the right to alter design, dimensions, and appearance etc., without notice.

