

HEAVY-DUTY PIT JACKS PJ20DH



Turn your under-utilized inspection pit or lube pit into a full service bay with a PJ20DH Pit Jack

Ideal for all Heavy-Duty Truck and Bus repair shops.



Lifting cylinders work together or Individually
Fits pits from 24 Inches to 55 Inches
Cylinder stroke 16.5 Inches
Many lifting accessories available

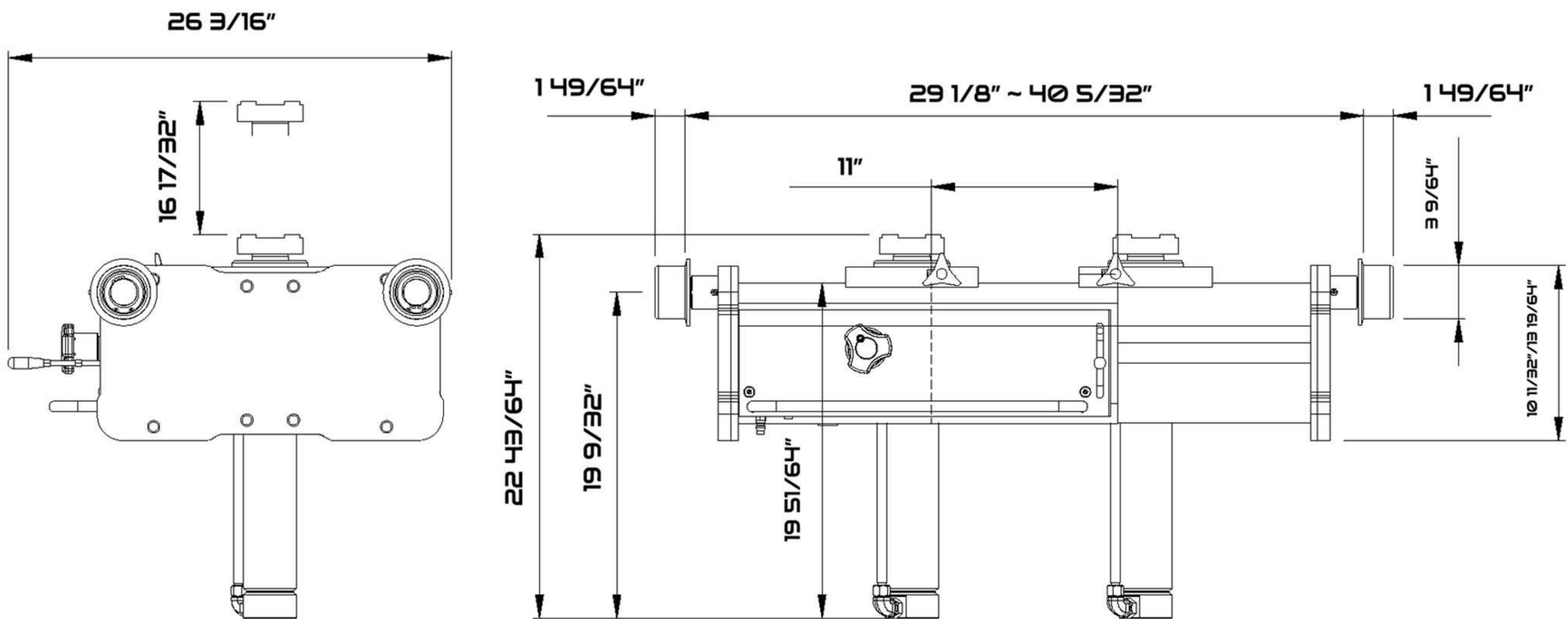
20 Ton Capacity.
Dual Hydraulic Cylinders
Dual Speed Control
Low Profile Design
Runs on Compressed Air

PIT JACKS



SCORPION PJ20DH

SPECIFICATIONS



POWER: 110-120 PSI



Lifting Saddles Included

STAN DESIGN

866 782 6529 · STANJACKS.COM