



PIT JACKS

SCORPION



PJ25S

PJ25S



Turn your inspection pit or lube pit into a full service bay by adding our PJ25S Pit Jack.

Low profile
Passable in the pit just duck underneath

APPLICATIONS

Inspection Pits, Lube Pits
Alignment Systems
Ramp Systems
Above Ground Lifts

FEATURES

25,000 Lb. Cap
Air/Hydraulic Scissor Design
Multi-Level Lock
Low and High Saddles
Small Foot Print

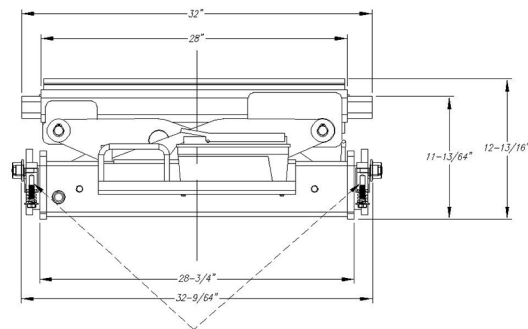
PIT JACKS



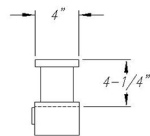
SCORPION PJ25S

SPECIFICATIONS

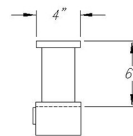
Jack Closed with Arms Fully Retracted



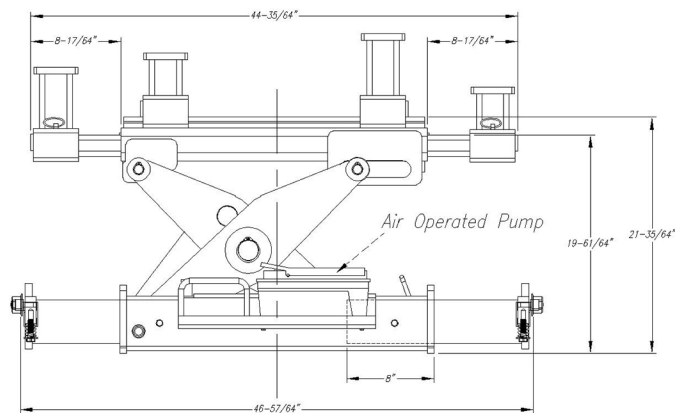
Wheel Assemblies



Low Lifting Adaptor



High Lifting Adaptor



Jack Fully Open with Arms Extended