



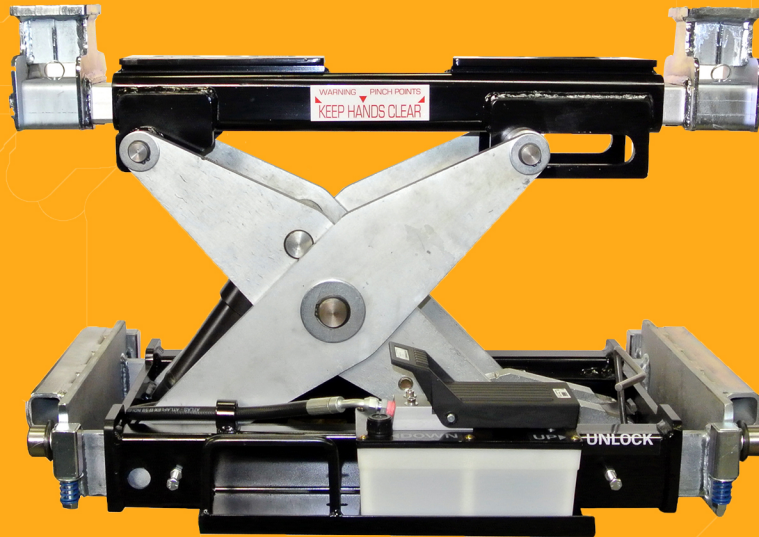
PIT JACKS

SCORPION



PJ12S/15S

**ALL NEW
PJ12S & PJ15S**



APPLICATIONS

Inspection Pits, Lube Pits
Alignment Systems
Ramp Systems
Above Ground Lifts

FEATURES

12,000 Lb. Cap & 15,000 Lb. Cap.
Air/Hydraulic Scissor Design
Multi-Level Lock
Low and High Stacking Adapters
Telescoping Arms
Small Foot Print

PIT JACKS

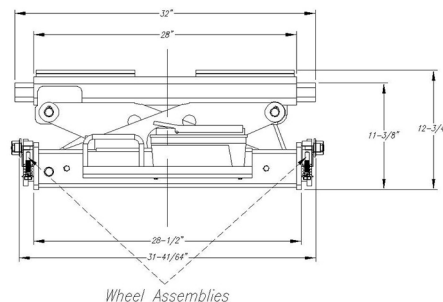


SCORPION PJ12S & PJ15S

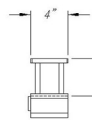
SPECIFICATIONS

PJ12S – Pit Jack

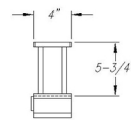
Jack Closed with Arms Fully Retracted



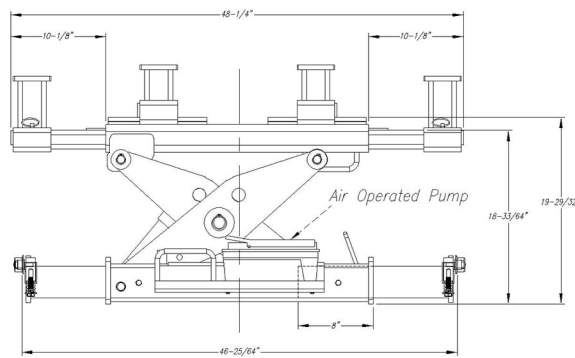
Wheel Assemblies



Low Lifting Adaptor



High Lifting Adaptor



Jack Fully Open with Arms Extended