

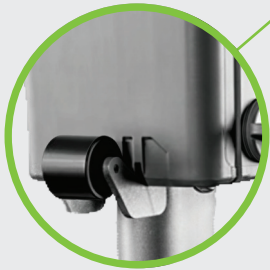
LITHIUM BATTERY HYDRAULIC JACK



► EJ30-1

► Cordless Power

Convenient, energy-efficient power for use anywhere



► **Anti Collision Wheel**
for Battery Pack protection

► Elliptical Handle

Stunning design with built-in connecting rod.

► Multiple Adaptors

Small, medium and large to suit any situation

► Industrial Seals

High quality seal for maximum performance

► Dual Safety Valve System

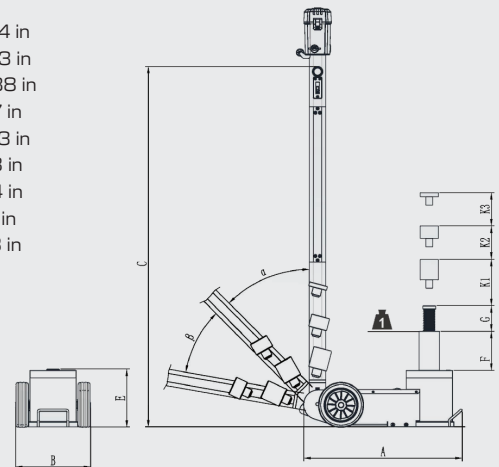
Slow descent control and overload protection ensure safe, stable lifting



MODEL EJ30-1

Rated Voltage	36V
Battery Qty	2pcs
Capacity	▲ 30t
Net Weight	50kg
Gross Weight	53kg
Packing Size	607x317x341mm

- A 21.54 in
- B 10.63 in
- C 59.88 in
- E 8.27 in
- F 15.53 in
- G 2.48 in
- K1 3.94 in
- K2 1.97 in
- K3 0.78 in
- α 45°
- β 35°



► Dual Speed Piston Rod

Fast rapid extension or Slow precise positioning.

► Hard Chrome-Plated Cylinder:

Enhanced durability and corrosion resistance for long service life