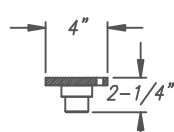


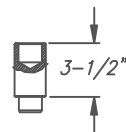
(Measurements taken from Rotary SM123)

Wheel Assemblys

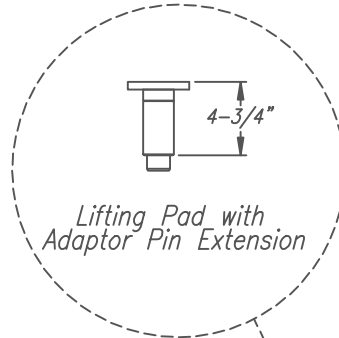
(Adustable: Fits between 36"-52" between opening runways)



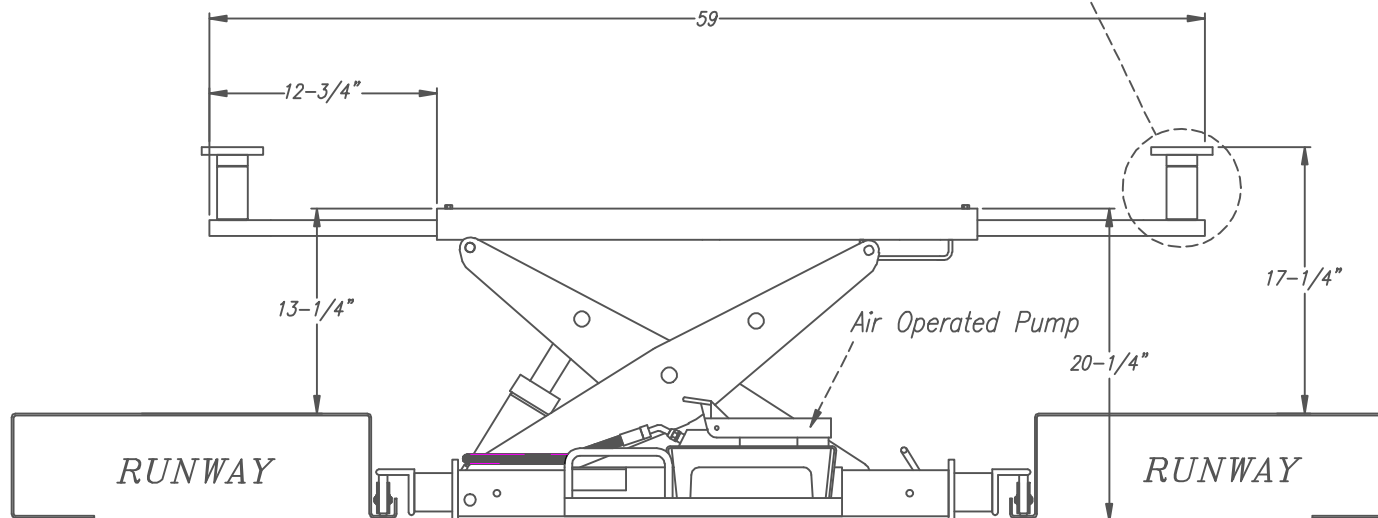
Lifting Pad



Adaptor Pin Extension



Lifting Pad with Adaptor Pin Extension



Jack Fully Raised with Arms extended